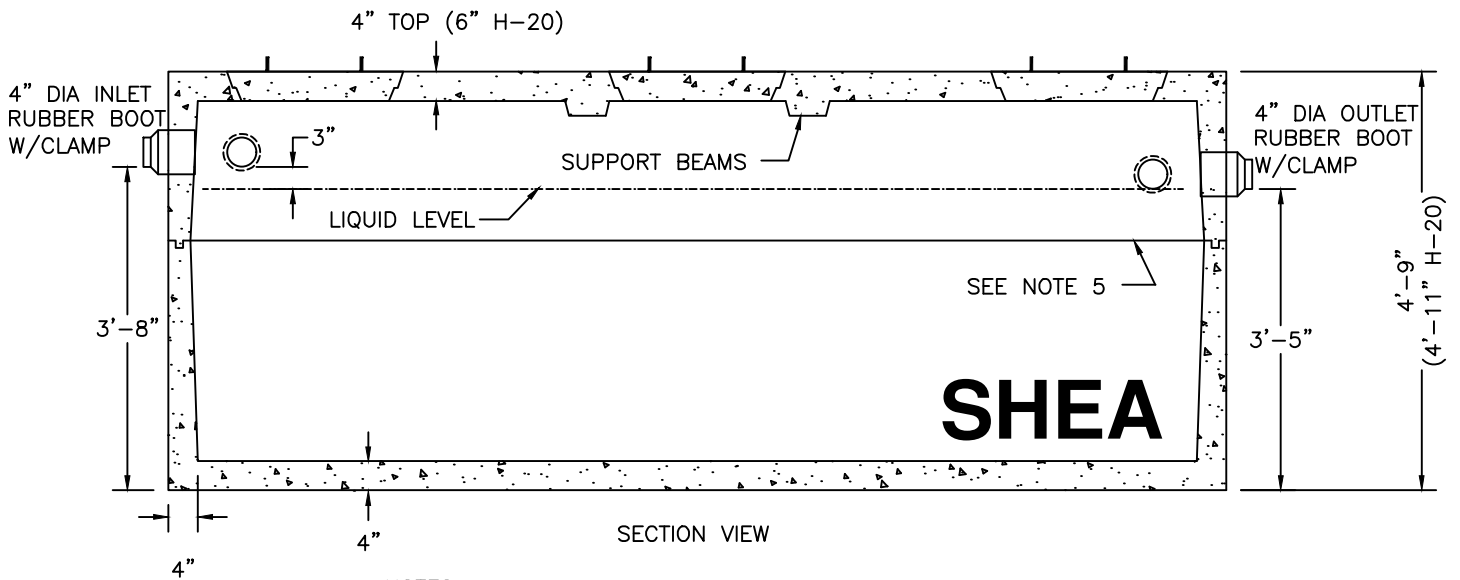


PLAN VIEW



SECTION VIEW

NOTES:

1. CONCRETE: 4,000 PSI MINIMUM AFTER 28 DAYS.
2. CONSTRUCTION OF SEPTIC TANK CONFORMS WITH 310 CMR, SECTION 15.00 DEP TITLE 5 REGS, FOR REPLACEMENT SYSTEMS WHERE A LIQUID LEVEL OF 4' IS NOT FEASIBLE.
3. ALL REINFORCEMENT PER ASTM C1227.
4. TEES AND GAS BAFFLE SOLD SEPARATELY.
5. TONGUE & GROOVE JOINT SEALED WITH BUTYL RESIN.
6. IF COVER EXCEEDS 4 FEET, HEAVY DUTY TANK REQUIRED.
ALSO AVAILABLE IN AASHTO HS-20 LOADING.

SHEA PRODUCT ID:
1500LB/1500LBH

PREPARED FOR:

FILE NAME:
tk1500lg.dwg

WEIGHT (LBS):
13,025#/14,950#

DRAWN BY:
ARO

DATE:
06/01/18

PAGE:
B1.4

