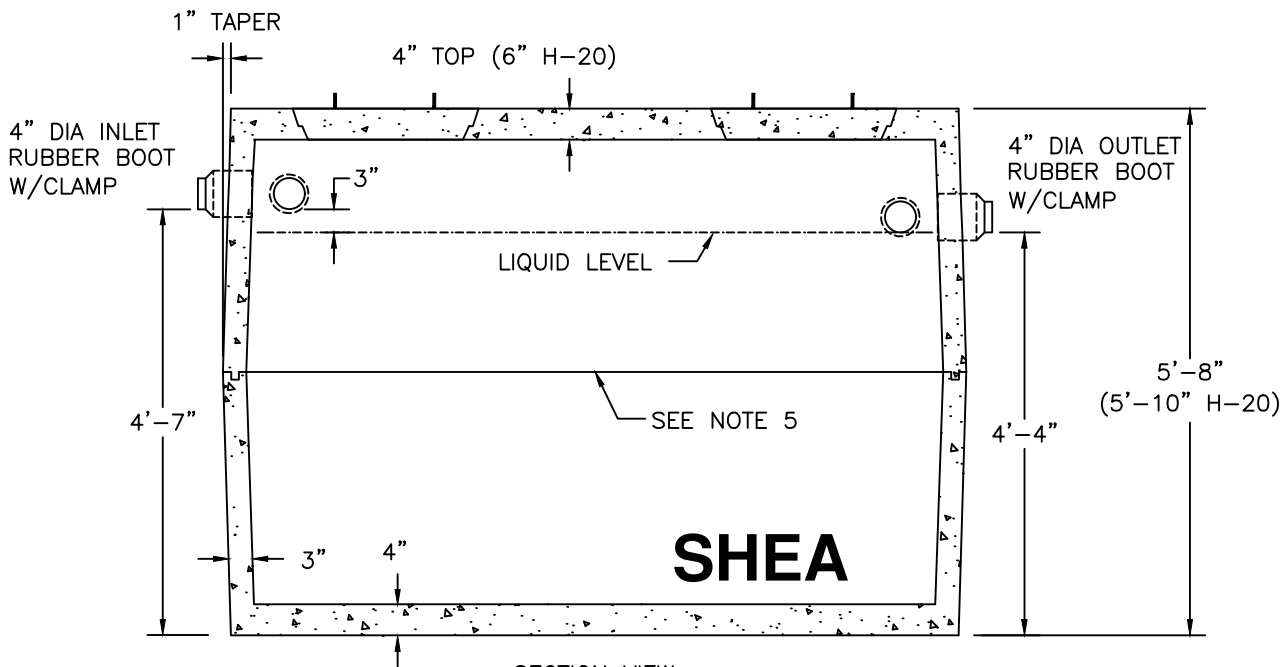



PLAN VIEW



SECTION VIEW

NOTES:

1. CONCRETE: 4,000 PSI MINIMUM AFTER 28 DAYS.
2. CONSTRUCTION OF SEPTIC TANK CONFORMS WITH DEP TITLE 5 REGS, 310 CMR, SECTION 15.226.
3. ALL REINFORCEMENT PER ASTM C1227.
4. TEES AND GAS Baffle SOLD SEPARATELY.
5. TONGUE & GROOVE JOINT SEALED WITH BUTYL RESIN.
6. IF COVER EXCEEDS 4 FEET, HEAVY DUTY TANK REQUIRED. ALSO AVAILABLE IN AASHTO HS-20 LOADING.

SHEA PRODUCT ID: 1000/1000H	PREPARED FOR:	FILE NAME: tk1000.dwg	
WEIGHT (LBS): 8,765#/9,785#	DRAWN BY: ARO	DATE: 06/01/18	
773 Salem Street-Wilmington, MA 153 Cranberry Hwy-Rochester, MA 87 Haverhill Road-Amesbury, MA 160 Old Turnpike Rd-Nottingham, NH			