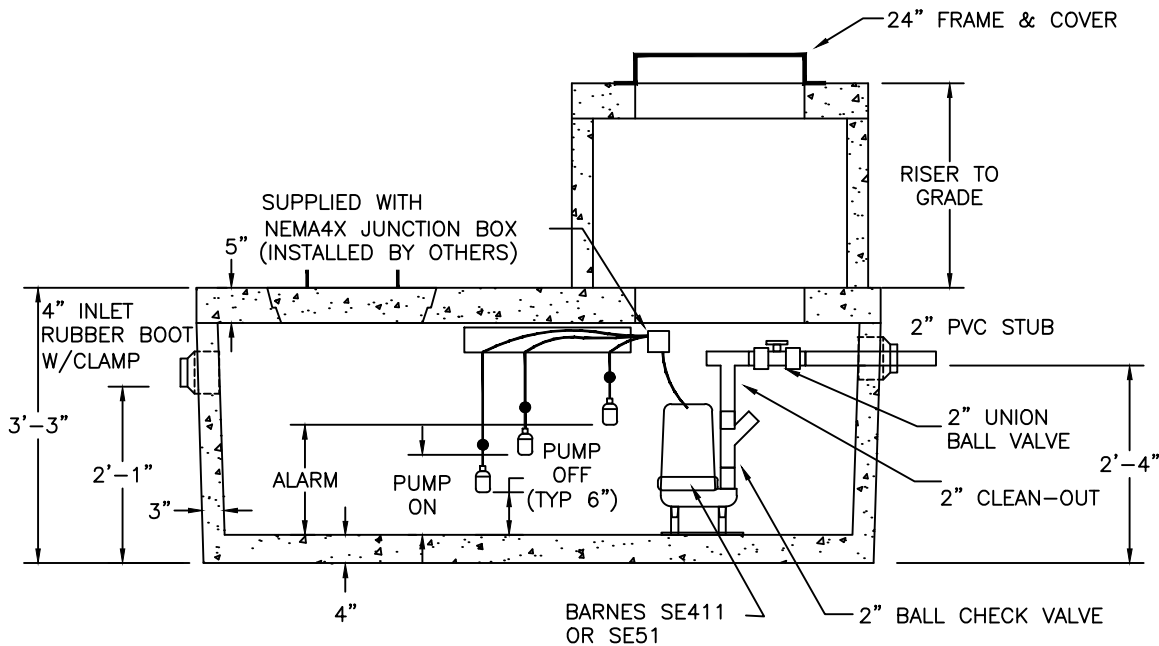



PLAN VIEW



SECTION VIEW

NOTES:

1. CONCRETE: 4,000 PSI MINIMUM AFTER 28 DAYS.
2. DESIGN CONFORMS WITH 310 CMR 15.226, DEP TITLE 5 REGS, FOR PUMP CHAMBERS.
3. ALL REINFORCEMENT PER ASTM C1227.
4. JOINT SEALED WITH BUTYL RESIN.
5. IF COVER EXCEEDS 4 FEET, HEAVY DUTY TANK REQUIRED ALSO AVAILABLE IN AASHTO HS-20 LOADING.
6. PUMPS, FLOATS, AND PIPE INSTALLED IN CHAMBER. FLOAT ELEVATIONS SET UPON REQUEST.
7. SUPPLIED WITH PUMP CONTROL PANEL W/ALARM.
8. ADDITIONAL PUMPS & DUPLEX CONFIGURATION AVAILABLE.

SHEA PRODUCT ID:	PREPARED FOR:	FILE NAME:	pc500lpsp	
WEIGHT (LBS):	DRAWN BY: ARO	DATE: 03/01/18	PAGE: C6.2	
773 Salem Street-Wilmington, MA 153 Cranberry Hwy-Rochester, MA 87 Haverhill Road-Amesbury, MA 160 Old Turnpike Rd-Nottingham, NH				