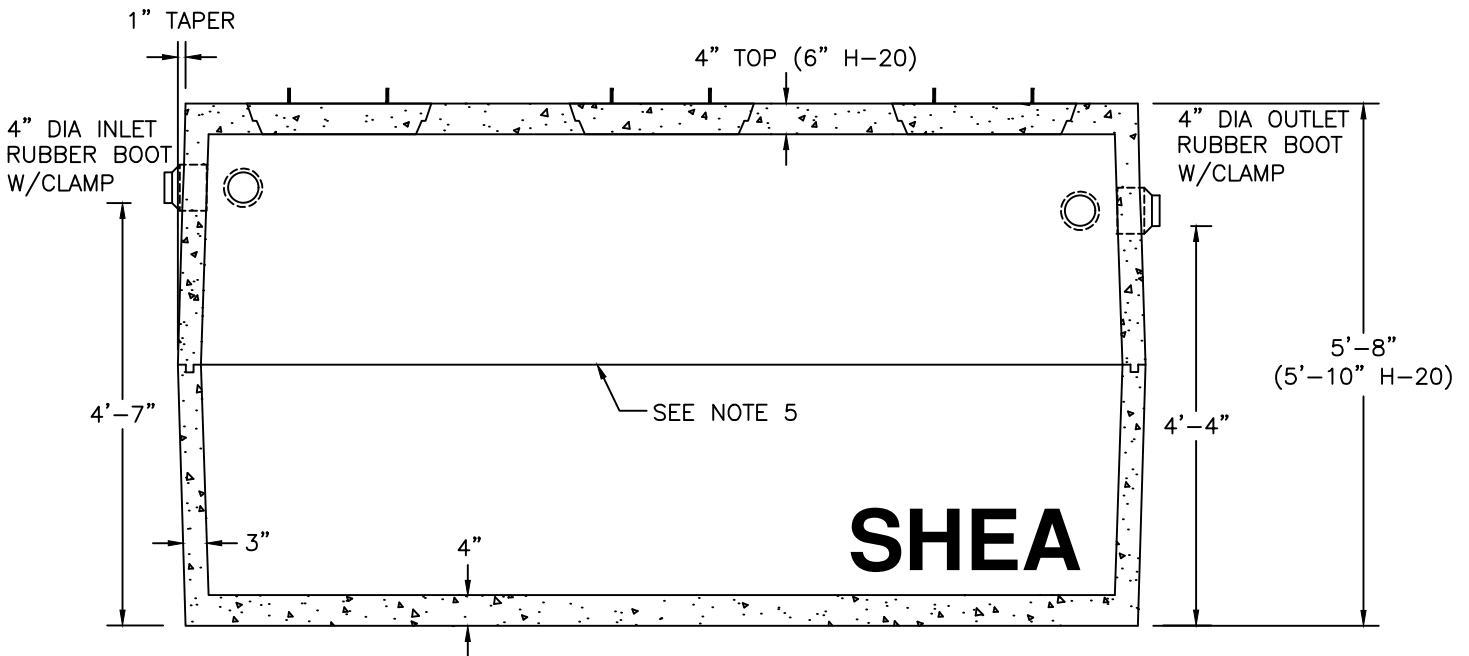



PLAN VIEW



SECTION VIEW

NOTES:

1. CONCRETE: 4,000 PSI MINIMUM AFTER 28 DAYS.
2. DESIGN CONFORMS WITH 310 CMR 15.000, DEP TITLE 5 REGS, FOR PUMP CHAMBERS.
3. ALL REINFORCEMENT PER ASTM C1227.
4. JOINT SEALED WITH BUTYL RESIN.
5. IF COVER EXCEEDS 4 FEET, HEAVY DUTY TANK REQUIRED. ALSO AVAILABLE IN AASHTO HS-20 LOADING.
6. PUMPS AND ACCESSORIES OPTIONAL.

SHEA PRODUCT ID: 1500PC/1500PCH	PREPARED FOR:	FILE NAME: pc1500.dwg	
WEIGHT (LBS): 11,870#/13,135#	DRAWN BY: ARO	DATE: 06/01/18	
773 Salem Street-Wilmington, MA   153 Cranberry Hwy-Rochester, MA   87 Haverhill Road-Amesbury, MA   160 Old Turnpike Rd-Nottingham, NH			