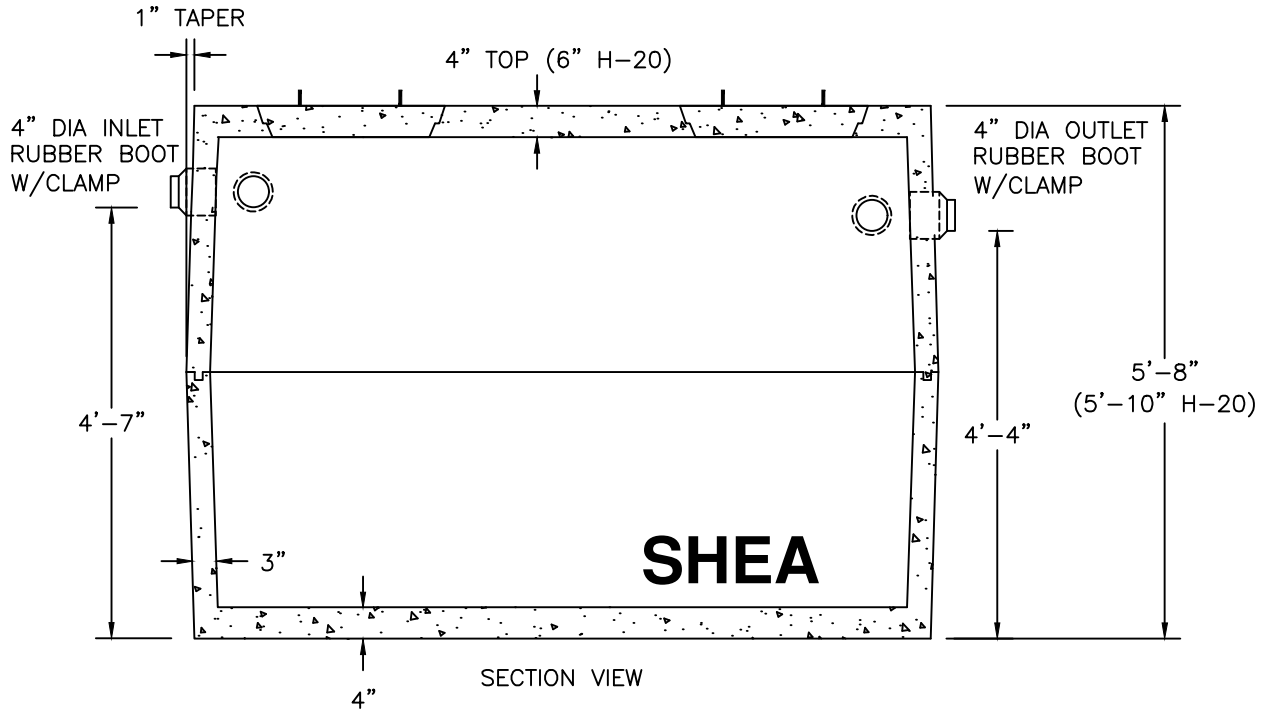


PLAN VIEW



SECTION VIEW

NOTES:

1. CONCRETE: 4,000 PSI MINIMUM AFTER 28 DAYS.
2. DESIGN CONFORMS WITH 310 CMR 15.000, DEP TITLE 5 REGS, FOR PUMP CHAMBERS.
3. ALL REINFORCEMENT PER ASTM C1227.
4. JOINT SEALED WITH BUTYL RESIN.
5. IF COVER EXCEEDS 4 FEET, HEAVY DUTY TANK REQUIRED. ALSO AVAILABLE IN AASHTO HS-20 LOADING.
6. PUMPS AND ACCESSORIES OPTIONAL.

SHEA PRODUCT ID:
1000PC/1000PCH

PREPARED FOR:

FILE NAME: pc1000.dwg

WEIGHT (LBS):
8,765#/9,785#

DRAWN BY: ARO

DATE: 06/01/18

PAGE: C2

