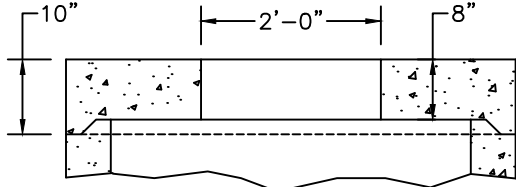
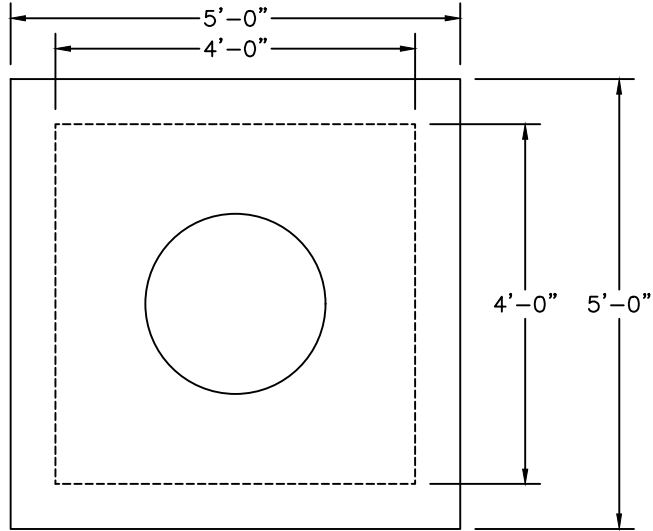


MANHOLE 4' X 4' SQUARE



OPTIONAL TOP SLAB

HEIGHT	ITEM NO	WEIGHT
0'-8"	MH4S-FT4SQ	1,850#



PLAN VIEW

TOP SECTION

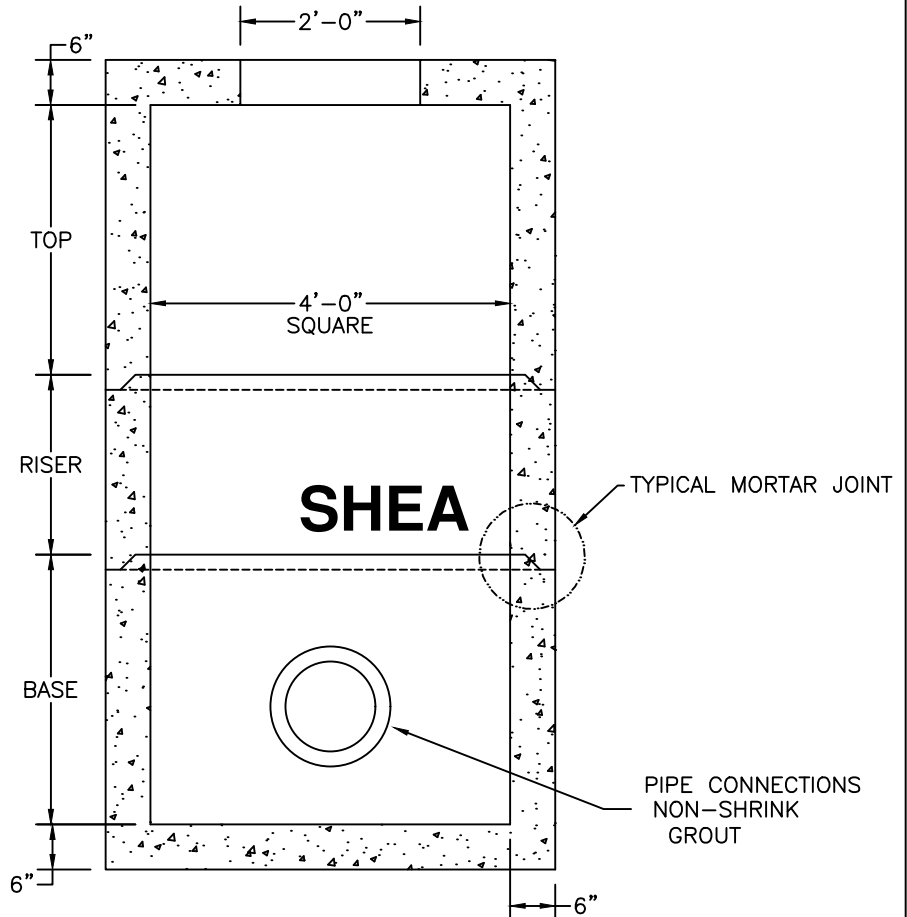
HEIGHT	ITEM NO	WEIGHT
1'-0"	MH4S-12T4SQ	3,182#
2'-0"	MH4S-24T4SQ	4,514#
3'-0"	MH4S-36T4SQ	5,846#
4'-0"	MH4S-48T4SQ	7,178#

RISER SECTION

HEIGHT	ITEM NO	WEIGHT
1'-0"	MH4S-12CS4SQ	1,332#
2'-0"	MH4S-24CS4SQ	2,664#
3'-0"	MH4S-36CS4SQ	3,996#
4'-0"	MH4S-48CS4SQ	5,328#

BASE SECTION

HEIGHT	ITEM NO	WEIGHT
2'-0"	MH4S-24S4SQ	4,514#
3'-0"	MH4S-36S4SQ	5,846#
4'-0"	MH4S-48S4SQ	7,178#
5'-0"	MH4S-60S4SQ	8,510#



SECTION VIEW

NOTES:

1. CONCRETE: 4,000 PSI MINIMUM AFTER 28 DAYS.
2. DESIGN LOADING PER AASHTO HS-20, 1 TO 5 FEET COVER.
3. MANHOLE DESIGN SPECS CONFORM TO ASTM C478 SPEC FOR "PRECAST REINFORCED CONCRETE MANHOLE SECTIONS."