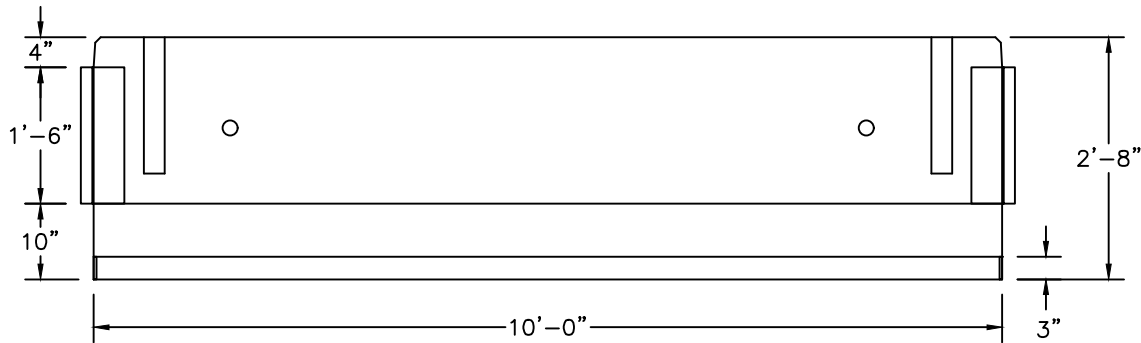
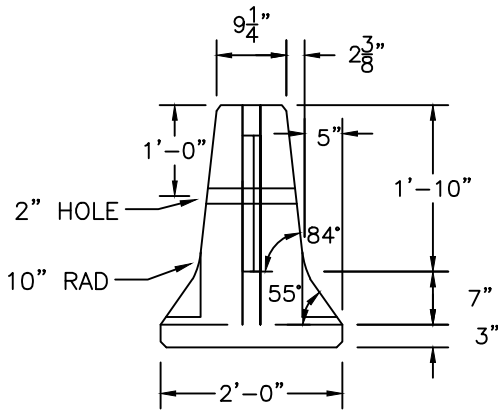


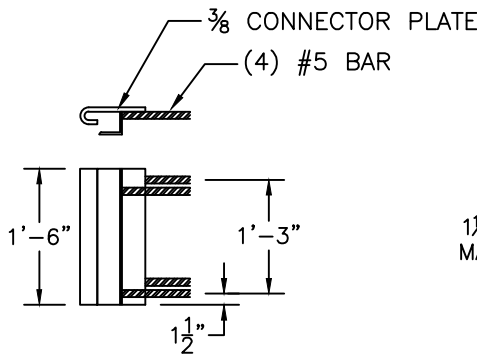
TOP VIEW



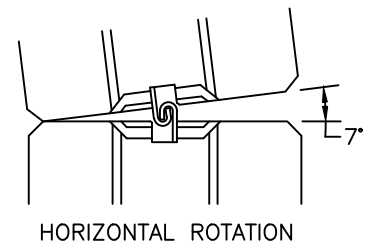
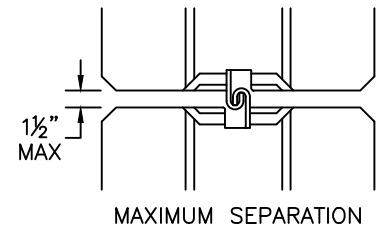
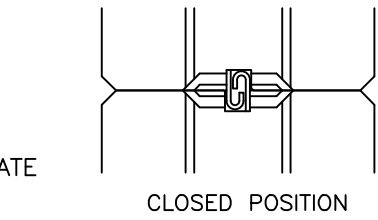
SIDE VIEW



END VIEW



CONNECTOR PLATE DETAIL



NOTES:

1. CONCRETE: 5,000 PSI MINIMUM AFTER 28 DAYS.
2. REINFORCING REBAR MEETS ASTM A706 GRADE 60, WELDED TO STEEL CONNECTOR PLATES.
3. ALL REINFORCEMENT HOT-DIP GALVANIZED AS REQUIRED.
4. DESIGN: FHWA APPROVED POSITIVE CONNECTION. J-J HOOKS IS ACCEPTED BY FHWA AS A CRASH TESTED AND OPERATIONAL DESIGN FOR USE ON ALL FEDERAL AID HIGHWAY PROJECTS.
5. CERTIFIED MASH, TEST LEVEL 3, CRASH TESTED.
6. INSTALLATION: BARRIERS ARE SELF-ALIGNING WITH NO LOOSE HARDWARE.

SHEA PRODUCT ID: MBDOTDF	PREPARED FOR:	FILE NAME: medbar DOT JJ Temp.dwg	
WEIGHT (LBS): 4,550#	DRAWN BY: ARO	DATE: 03/01/2018	
773 Salem Street-Wilmington, MA 153 Cranberry Hwy-Rochester, MA 87 Haverhill Road-Amesbury, MA 160 Old Turnpike Rd-Nottingham, NH			