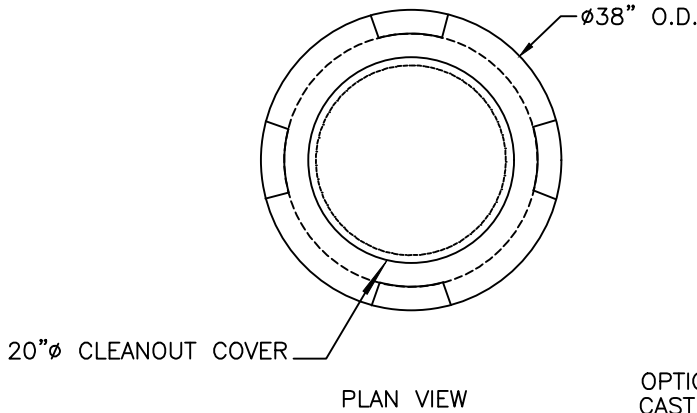
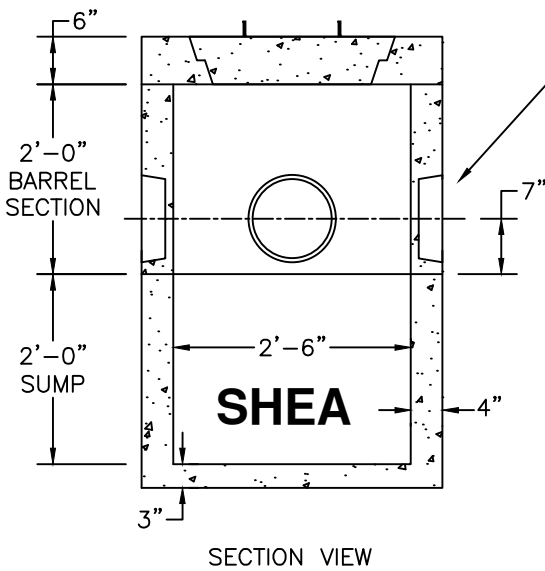


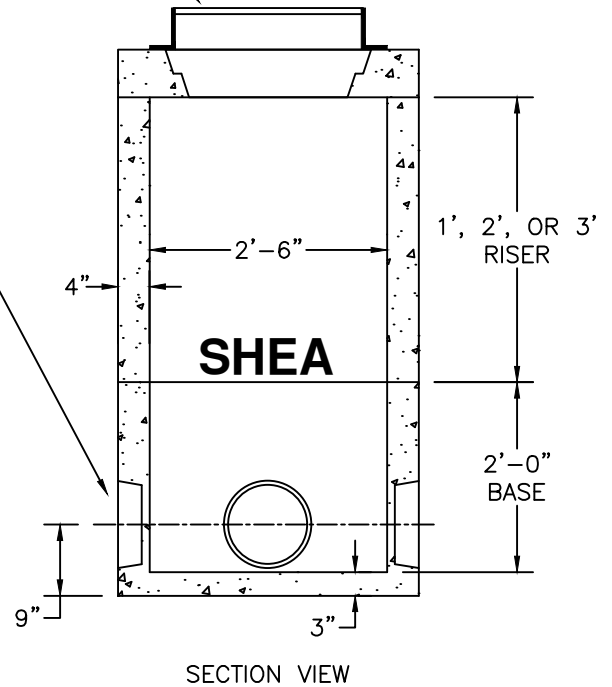
MANHOLE 30" DIA H-20  
MINI CATCH BASIN



OPTIONAL 24" DIA  
CAST IRON FRAME  
AND COVER/GRATE



(4) 10" DIA  
KNOCKOUTS  
90° APART



NOTES:

1. CONCRETE: 5,000 PSI MINIMUM AFTER 28 DAYS.
2. DESIGNED FOR AASHTO HS-20 LOADING, 1-5 FEET COVER.

SECTIONS	ITEM NO	WEIGHT
1'-0" RISER	MC-MCB12RH	440#
2'-0" RISER	MC-MCB24RH	880#
3'-0" RISER	MC-MCB36RH	1320#
2'-0" BASE	MC-MCB24SH	1175#
2'-0" BARREL	MC-MCB24BSH	880#
38" COVER	MC-MCB38CH	585#

SHEA PRODUCT ID:  
SEE TABLE

PREPARED FOR:

FILE NAME: manh30inH20.dwg

WEIGHT (LBS):  
SEE TABLE

DRAWN BY: ARO

DATE: 06/01/18

PAGE: G1

