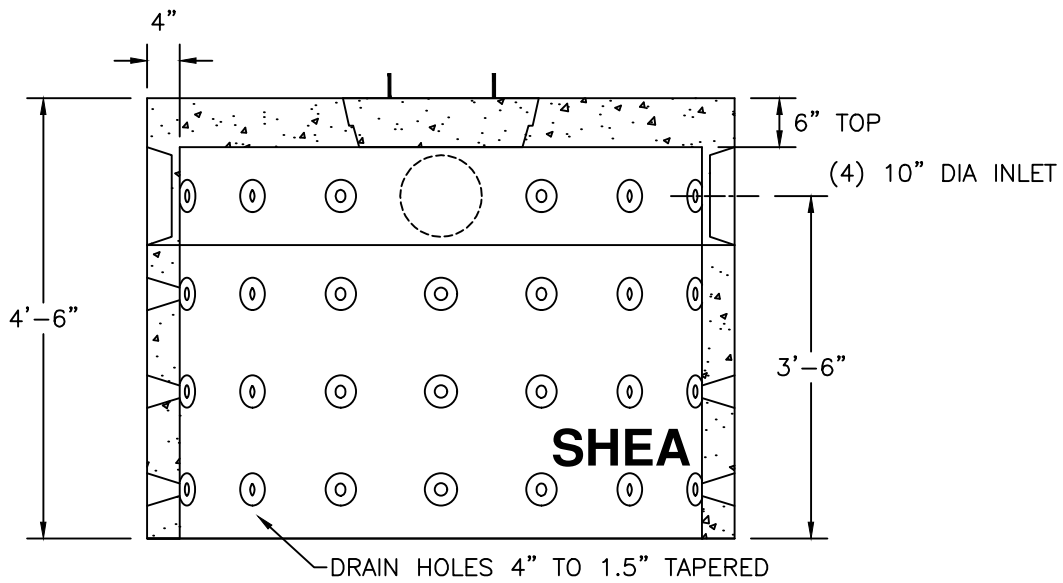


PLAN VIEW




SECTION VIEW

ITEM NO.		WEIGHT
700 GALLON	700DW STANDARD	5,400#
	700DWH H-20	5,400#
3' STACKABLE	3SS	2,008#

NOTES:

1. CONCRETE: 4,000 PSI MINIMUM AFTER 28 DAYS.
2. ALSO AVAILABLE IN AASHTO HS-20 LOADING.
3. CAPACITY INCREASES IN INCREMENTS OF 500 GALLONS FOR EACH 3' SECTION ADDED.

SHEA PRODUCT ID: SEE TABLE	PREPARED FOR:	FILE NAME: dwc700.dwg	
WEIGHT (LBS): SEE TABLE	DRAWN BY: ARO	DATE: 06/01/18	