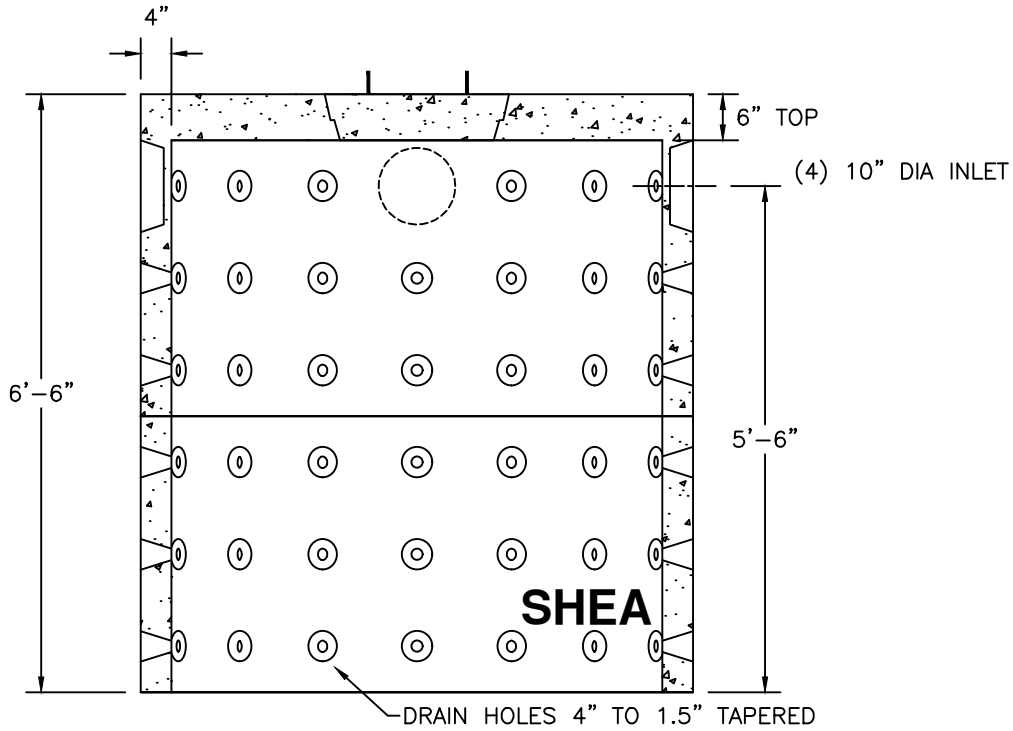


PLAN VIEW



SECTION VIEW

NOTES:

1. CONCRETE: 4,000 PSI MINIMUM AFTER 28 DAYS.
2. ALSO AVAILABLE IN AASHTO HS-20 LOADING.
3. CAPACITY INCREASES IN INCREMENTS OF 500 GALLONS FOR EACH 3' SECTION ADDED.

	ITEM NO.	WEIGHT
1000 GALLON	1000SDW STANDARD	6,778#
	1000SDWH H-20	6,778#
3' STACKABLE	3SS	2,008#

SHEA PRODUCT ID:
SEE TABLE

PREPARED FOR:

FILE NAME:
dwc1000.dwg

WEIGHT (LBS):
SEE TABLE

DRAWN BY:
ARO

DATE:
06/01/18

PAGE:
F4.3

