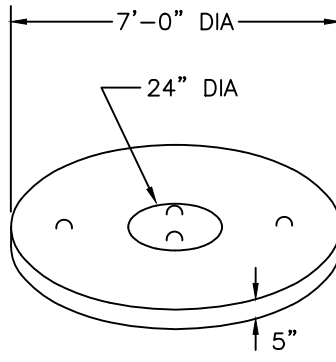
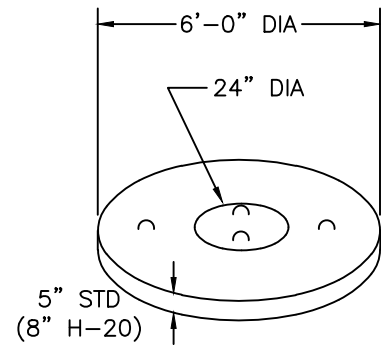


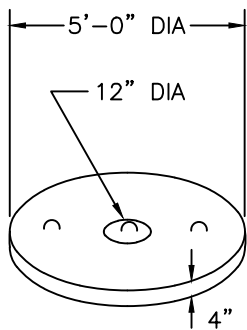
ITEM NO. C-88C	STANDARD	WEIGHT 3,000#
----------------	----------	------------------



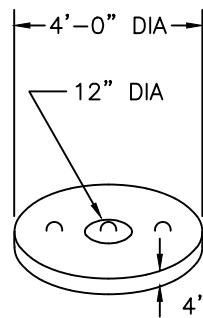
ITEM NO. C-84C	WEIGHT 2,300#
----------------	------------------



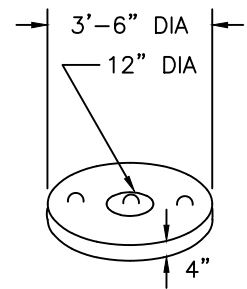
ITEM NO. C-72C	STANDARD	WEIGHT 1,700#
C-72CH	H-20	2,700#



ITEM NO. C-60C	WEIGHT 930#
----------------	----------------

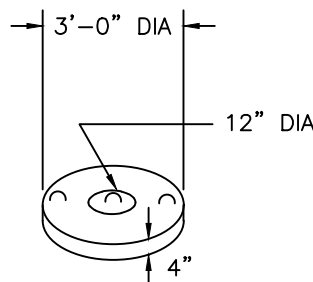


ITEM NO. C-48C	WEIGHT 600#
----------------	----------------

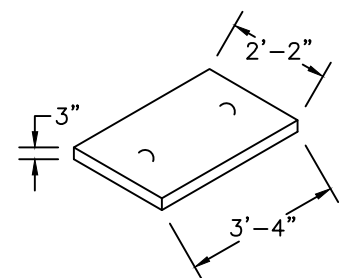


WELL TILE COVER
WITH OR WITHOUT HAT

ITEM NO. C-42WTC	WEIGHT 450#
------------------	----------------



ITEM NO. C-36WTC	WEIGHT 262#
------------------	----------------



AIR CONDITIONER PAD

ITEM NO. C-ACP	WEIGHT 250#
----------------	----------------

NOTES:

1. CONCRETE: 4,000 PSI MINIMUM AFTER 28 DAYS.