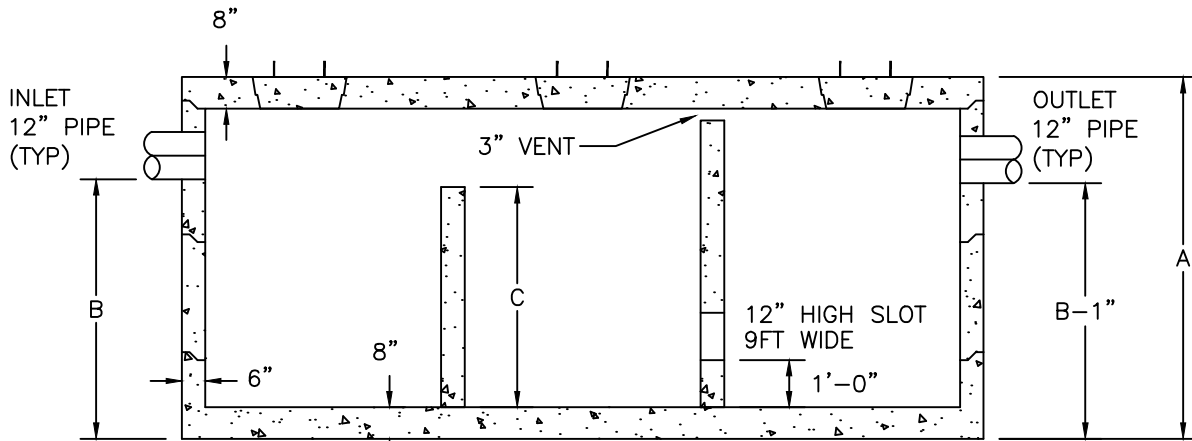


PLAN VIEW



SECTION VIEW

NOTES:

1. CONCRETE: 5,000 PSI MINIMUM AFTER 28 DAYS.
2. DESIGNED FOR AASHTO HS-20 LOADING, COVER 1 TO 5 FEET.
3. TONGUE AND GROOVE JOINT SEALED WITH BUTYL RESIN. INLET HEIGHT MAY INCREASE SLIGHTLY DUE TO THE BUTYL RESIN USED.

GALLONS	A (HEIGHT)	B (INLET)	C (BAFFLE)	WEIGHT (LBS)
5,000	92"	66"	56"	58,180
7,500	118"	92"	82"	66,510
10,000	146"	120"	110"	75,500

*OTHER SIZES AVAILABLE

SHEA PRODUCT ID:

PREPARED FOR:

FILE NAME:

WQI9x16.dwg

WEIGHT (LBS): SEE TABLE

DRAWN BY: ARO

DATE: 06/01/18

PAGE: H3

