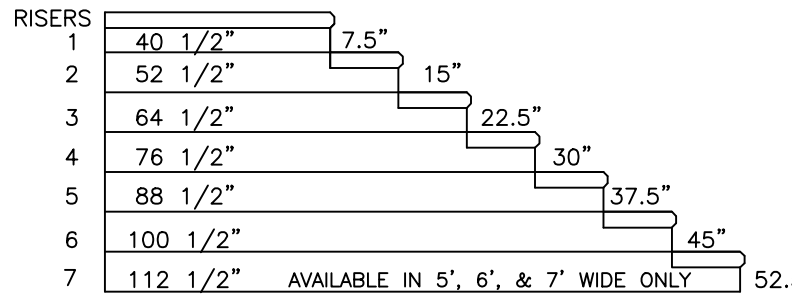


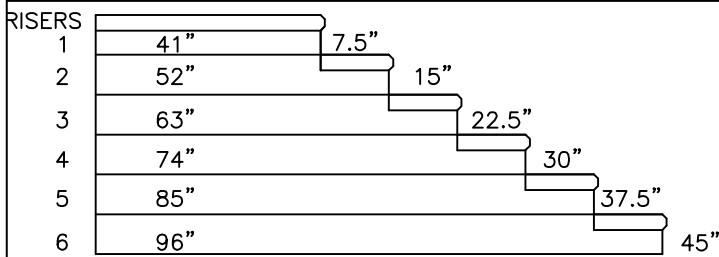
STEP WIDTH	7" RISER SONAR TUBES				STEP RISE		
	A	B	C	D			
4'	48"	47"	42"	44.5"	33"	14"	1
5'	60"	59"	53.5"	56"	47"	21"	2
6'	72"	71"	65.5"	68"	57"	28"	3
7'	84"	83"	77.5"	80"	63"	35"	4
					75"	42"	5
					87"	49"	6
					99"	56"	7

7" RISER PLAIN CONCRETE



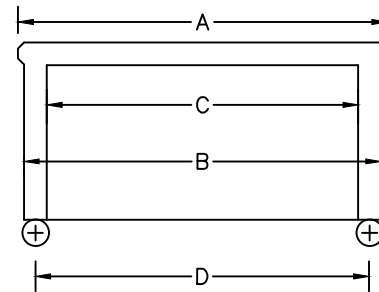
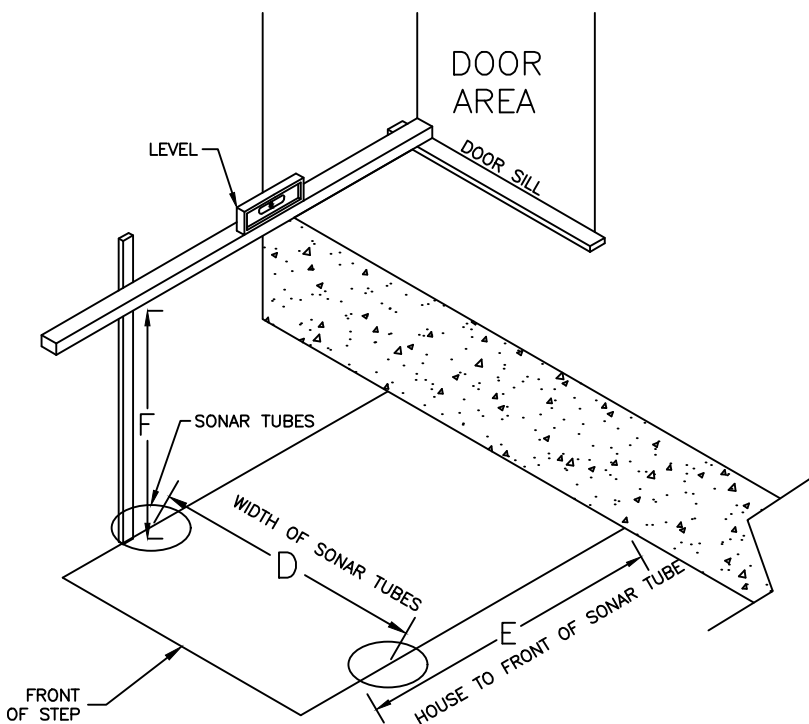
STEP WIDTH	7 1/2" RISER SONAR TUBES				STEP RISE		
	A	B	C	D			
4'	48"	45.5"	39.5"	42.5"	32"	15"	1
5'	60"	57.5"	51.5"	54.5"	46"	22.5"	2
6'	72"	70"	63.5"	66.5"	56"	30"	3
7'	84"	81"	74.5"	77.5"	62"	37.5"	4
8'	96"	94"	86"	90"	74"	45"	5
10'	120"	116.5"	110.5"	113.5"	86"	52.5"	6
					98"	60"	7

7 1/2" RISER PLAIN CONCRETE & BRICK FACED



STEP WIDTH	7 1/2" RISER SONAR TUBES				STEP RISE		
	A	B	C	D			
5'	60"	58.5"	51.5"	54.5"	32"	15"	1
6'	72"	71"	63.5"	66.5"	46"	22.5"	2
8'	96"	95"	86"	90"	55"	30"	3
					61"	37.5"	4
					72"	45"	5
					83"	52.5"	6

BRICK & GRANITE



BACK VIEW

NOTES:

1. PLACE FOOTING 1/2" BELOW DIMENSION "F" TO ALLOW FOR ADJUSTMENT WHEN INSTALLING.