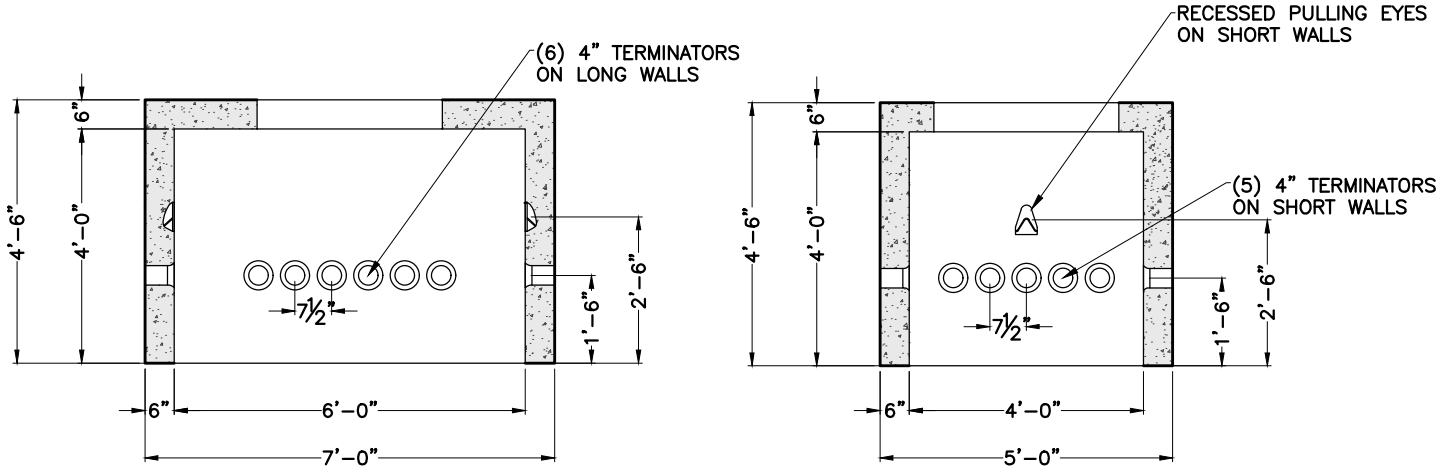
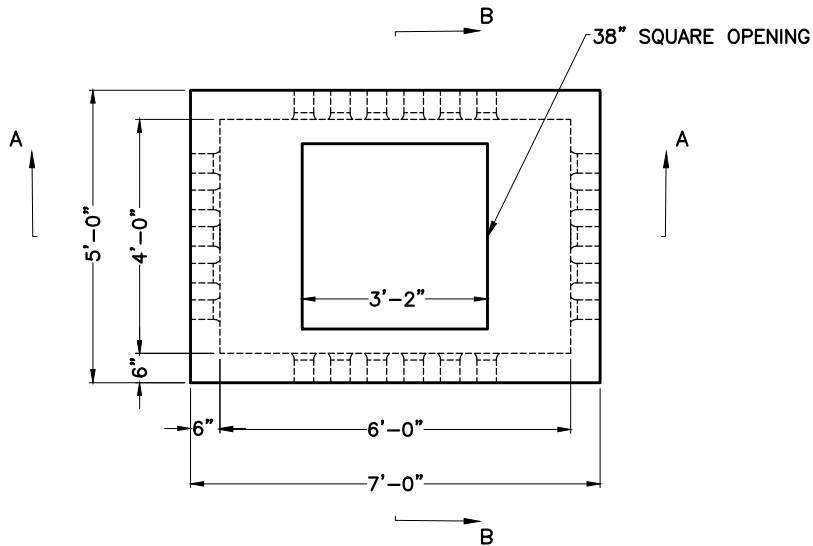


# READING MUNICIPAL LIGHT HANDHOLE 4' X 6' X 4'



**NOTES:**

1. CONCRETE: 5,000 PSI MINIMUM AFTER 28 DAYS.
2. DESIGN LOADING: AASHTO HS20-44, 0 TO 5 FEET COVER.
3. STEEL REINFORCEMENT CONFORMS TO ASTM A615, GRADE 60.  
MINIMUM STEEL COVER 1".

SHEA PRODUCT ID: RLHH-464

FILE NAME: RMLD 4X6

WEIGHT (LBS): 8190

DRAWN BY: L.P.

DATE: 5/9/2018

PAGE: VIII.H.1

