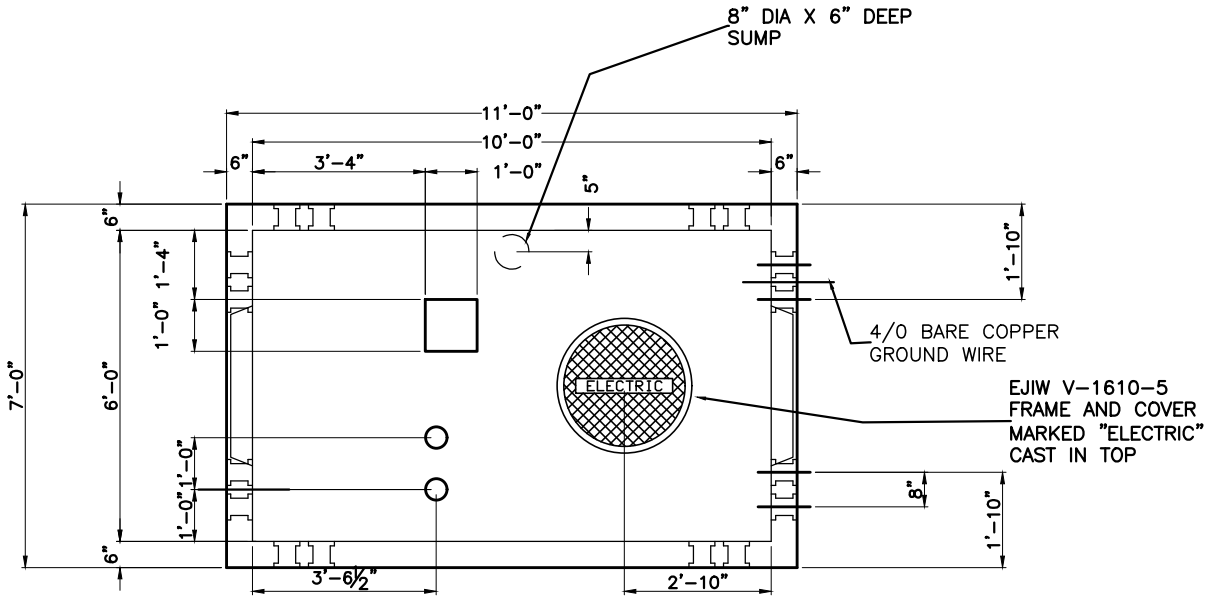
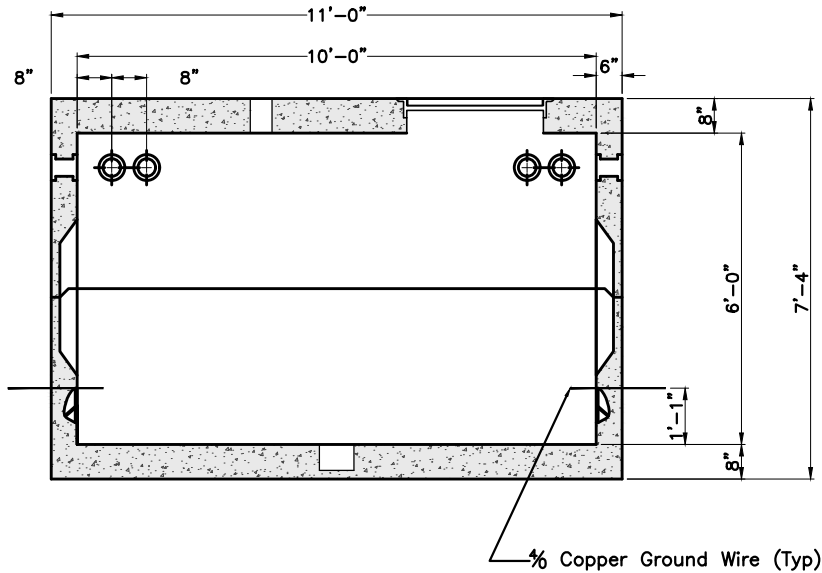


NORWOOD LIGHT
 MANHOLE 6' X 10' X 6'



PLAN VIEW



SECTION VIEW
 OPPOSITE WALLS ARE MIRROR IMAGES.

NOTES:

1. CONCRETE 5,000 PSI MINIMUM STRENGTH AFTER 28 DAYS.
2. DESIGN LOADING: AASHTO HS20-44, 0 TO 5 FEET COVER.
3. STEEL REINFORCEMENT CONFORMS TO ASTM A615, GRADE 60.
4. MINIMUM STEEL COVER 1".

SHEA PRODUCT ID:	MH-6106	FILE NAME:	NORWOOD 6X10		
WEIGHT (LBS):	27555	DRAWN BY:	L.P.	DATE:	2/6/2018
				PAGE:	VIII.F.1

