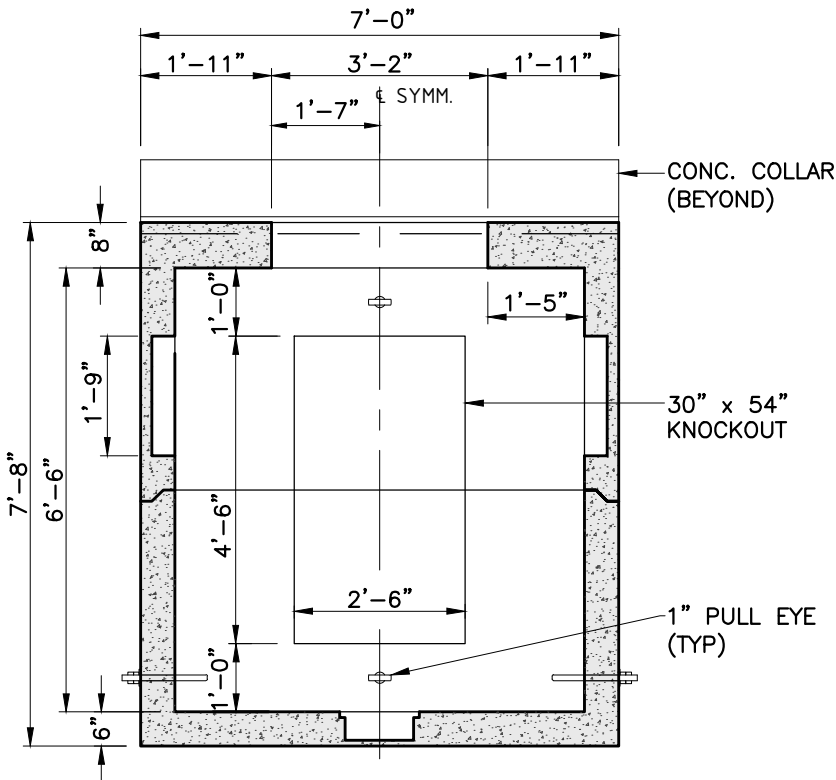


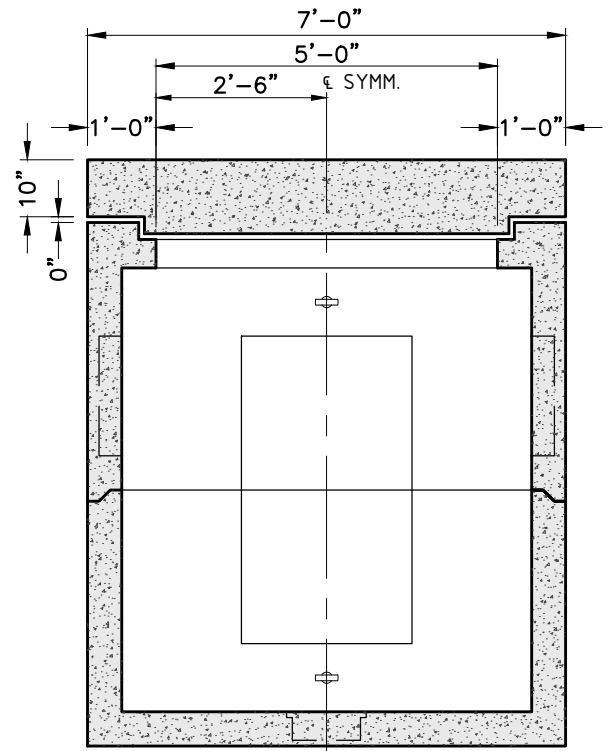
SECTION A-A

OPPOSITE WALLS ARE MIRROR IMAGES.



SECTION B-B

OPPOSITE WALLS ARE MIRROR IMAGES.



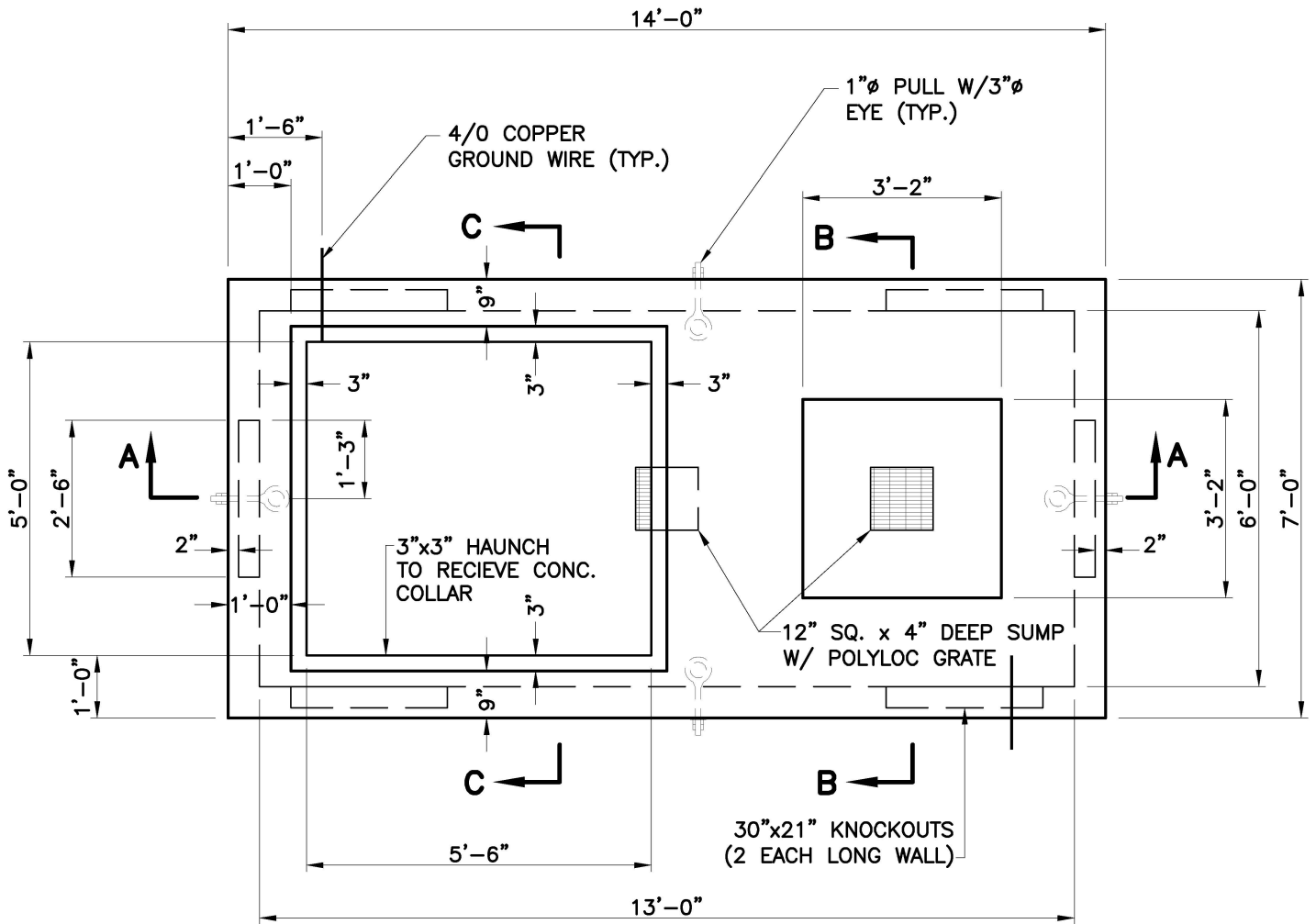
SECTION C-C

SEE SECTION B-B FOR DIMENSIONAL INFORMATION NOT SHOWN

SHEA PRODUCT ID:	NG-613-66SG
WEIGHT (LBS):	31840

FILE NAME:	NGSWITCHGEARMH		
DRAWN BY:	L.P.	DATE:	1/2/2017
PAGE:	IV.D.1-2		





PLAN

NOTES:

1. CONCRETE: 5,000 PSI MINIMUM AFTER 28 DAYS.
2. DESIGN LOADING: AASHTO HS20-44, 0 TO 5 FEET COVER.
3. DESIGN SPECIFICATIONS - ACI 318 & AASHTO LOAD FACTOR DESIGN METHOD.
4. STEEL REINFORCEMENT CONFORMS TO ASTM A615, GRADE 60. MINIMUM COVER 1"
5. ALL TERMINATORS SHALL HAVE BELL ENDS FLUSH WITH THE INSIDE WALL.
6. CONSTRUCTION JOINT SHALL BE SEALED WITH 1"Ø BUTYL RUBBER OR APPROVED EQUAL.

SHEA PRODUCT ID:	NG-613-66SG
WEIGHT (LBS):	31840

FILE NAME:	NGSWITCHGEARMH		
DRAWN BY:	L.P.	DATE:	1/2/2017
PAGE:	IV.D.1-1		

