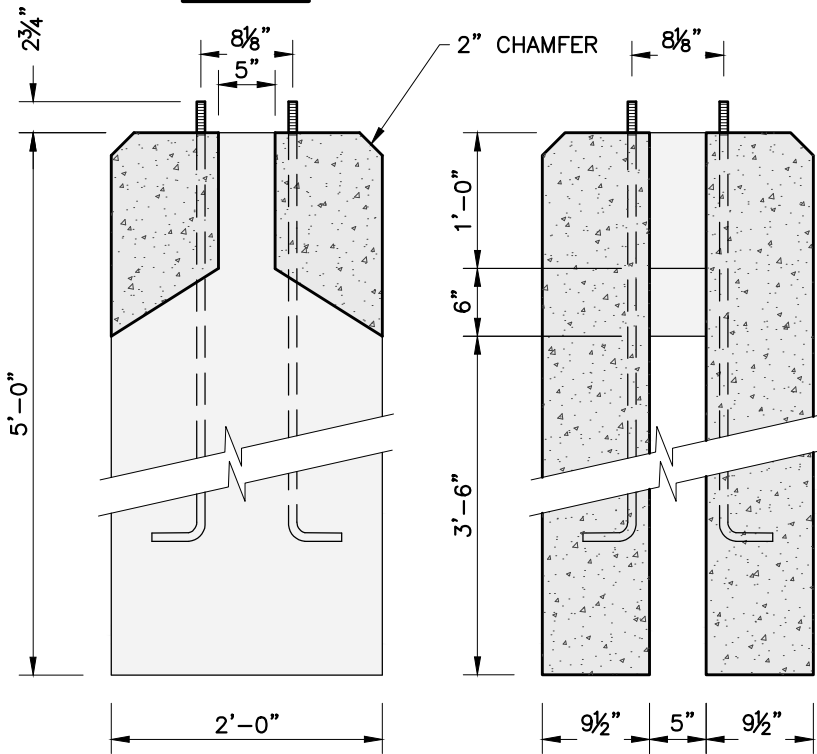
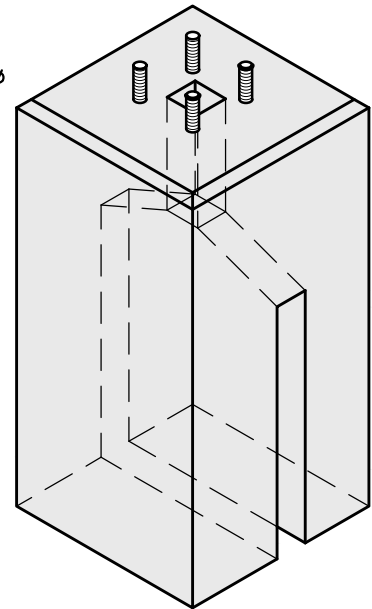
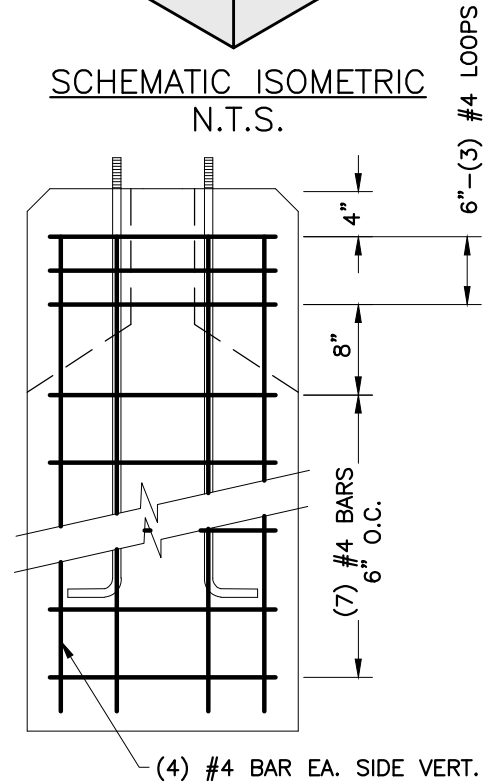


PLAN



SECTION A-A

SECTION B-B



REINFORCEMENT LAYOUT

NOTES:

1. CONCRETE: 5,000 PSI MINIMUM AFTER 28 DAYS.
2. STEEL REINFORCEMENT CONFORMS TO ASTM A615, GRADE 60. MINIMUM STEEL COVER 1".
3. ANCHOR BOLTS: (4) 3/4" DIAMETER X 48" X 3" L-SHAPED GALVANIZED STEEL, EACH WITH (2) HEAVY HEX HEAD NUTS AND (2) ROUND WASHERS. MINIMUM 12" THREAD LENGTH. ALL HARDWARE SHALL CONFORM TO ASTM A36, A563, AND F844, RESPECTIVELY. FABRICATED IN ACCORDANCE WITH ASTM F1554 AND HOT-DIP GALVANIZED PER A153.

SHEA PRODUCT ID:	NGLPBMS6650
WEIGHT (LBS):	2450

FILE NAME:	NGMS6650LPB
DRAWN BY:	L.P.
DATE:	12/21/2017

PAGE:	I V.B.4
-------	---------

