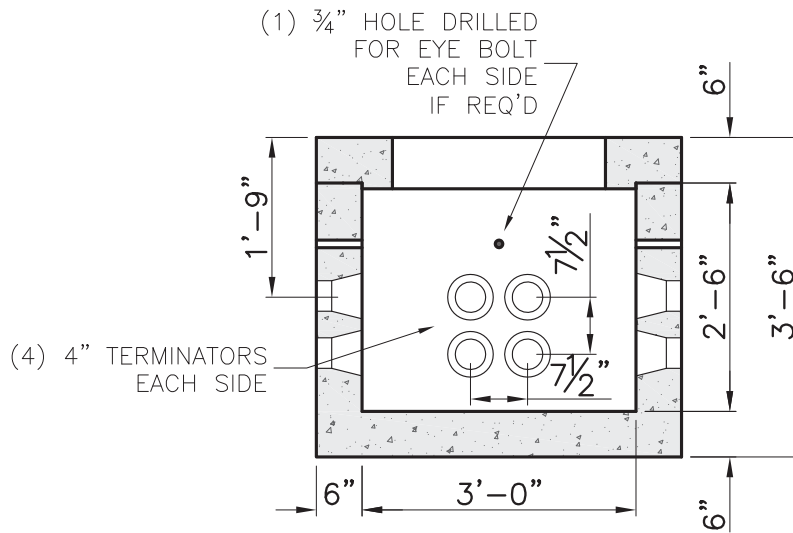


PLAN VIEW



SECTION VIEW WITH FLOOR

NOTES:

1. CONCRETE: 5,000 PSI MINIMUM AFTER 28 DAYS.
2. DESIGN LOADING: AASHTO HS20-44, 0 TO 5 FEET COVER.
3. STEEL REINFORCEMENT CONFORMS TO ASTM A615, GRADE 60.
4. MINIMUM STEEL COVER 1".
5. OPTIONAL OPENINGS AVAILABLE BY SPECIAL ORDER.

SHEA PRODUCT ID:	MH-333	FILE NAME:	MH 3X3X2-6		
WEIGHT (LBS):	4500	DRAWN BY:	L.P.	DATE:	2/5/2018
				PAGE:	I.C.1

