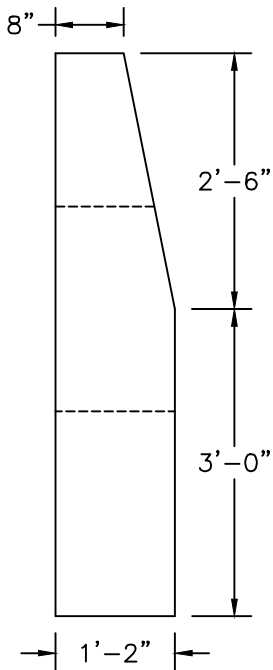
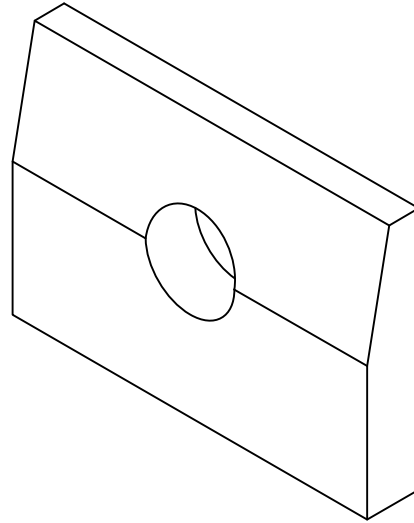
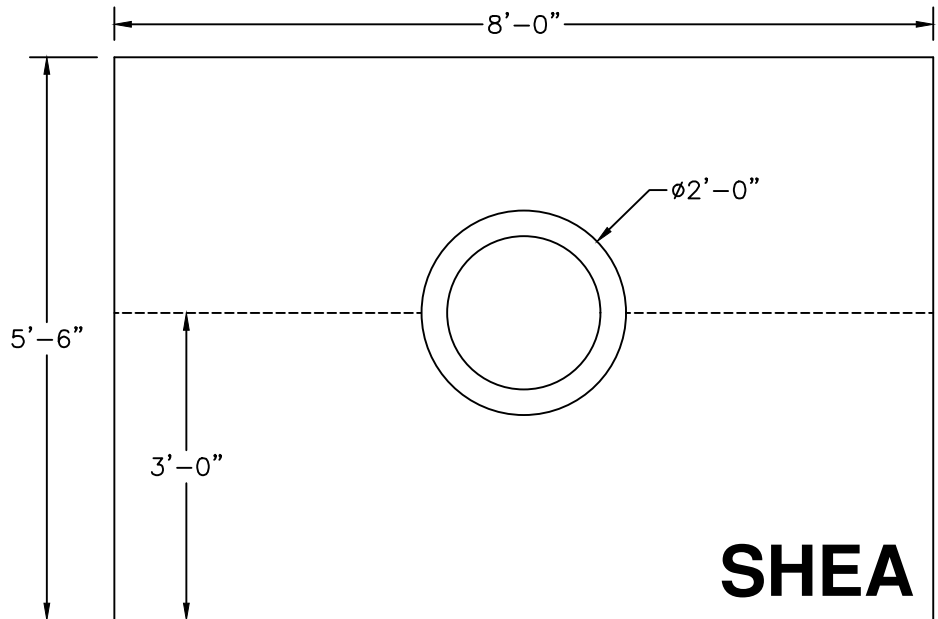


TOP VIEW



SIDE VIEW




FRONT VIEW

**SHEA**

NOTES:

1. CONCRETE: 4,000 PSI MINIMUM AFTER 28 DAYS.

SHEA PRODUCT ID: HW66X96-24	PREPARED FOR:	FILE NAME: HW18Pipe.dwg	
WEIGHT (LBS): 6,335#	DRAWN BY: ARO	DATE: 03/01/2018	
773 Salem Street-Wilmington, MA   153 Cranberry Hwy-Rochester, MA   87 Haverhill Road-Amesbury, MA   160 Old Turnpike Rd-Nottingham, NH			