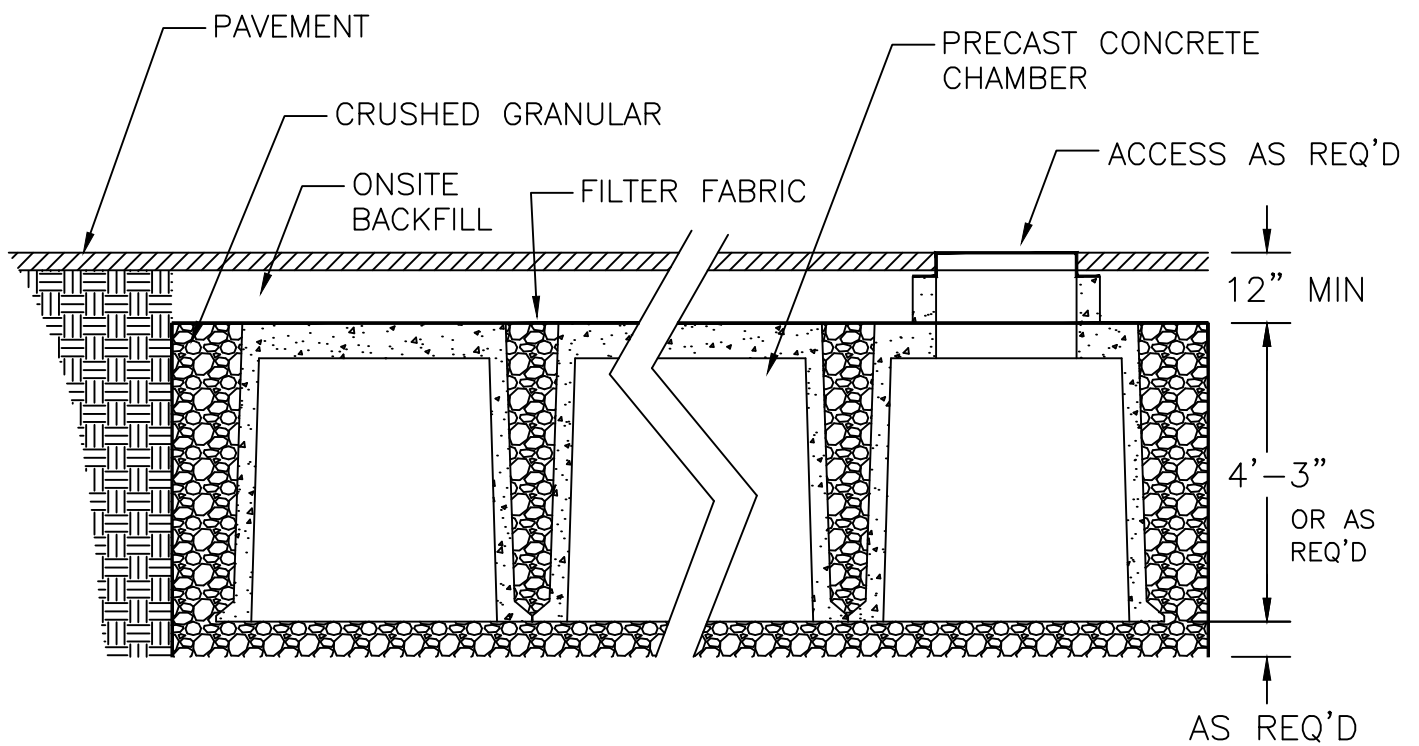



Typical Cross Section Detail  
Precast Concrete Galley Chamber  
(not to scale)



NOTES:

1. CONCRETE: 4,000 PSI MINIMUM AFTER 28 DAYS.
2. DESIGNED FOR AASHTO HS-20 LOADING, 1 TO 3 FEET COVER.
3. GALLEY AVAILABLE IN BOTH END AND CENTER SECTIONS.  
CENTER SECTIONS HAVE LARGE OPENING IN  
BOTH THE BACK AND FRONT SIDES.

|                  |               |                |                      |   |
|------------------|---------------|----------------|----------------------|---|
| SHEA PRODUCT ID: | PREPARED FOR: | FILE NAME:     | GalleySectDetail.dwg |  |
| WEIGHT (LBS):    | DRAWN BY: ARO | DATE: 06/01/18 | PAGE: E1.3           |   |

773 Salem Street-Wilmington, MA | 153 Cranberry Hwy-Rochester, MA | 87 Haverhill Road-Amesbury, MA | 160 Old Turnpike Rd-Nottingham, NH