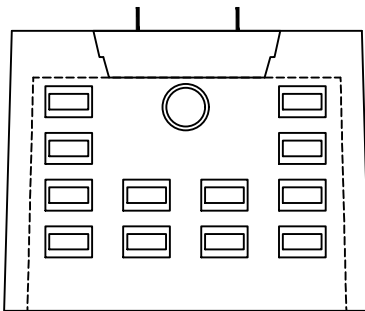
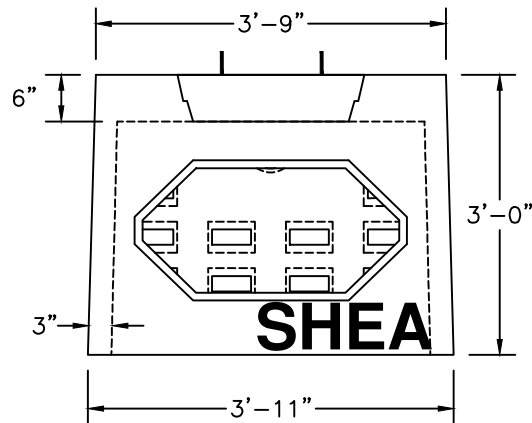


PLAN VIEW

SIDE VIEW




FRONT VIEW



BACK VIEW

NOTES:

1. CONCRETE: 4,000 PSI MINIMUM AFTER 28 DAYS.
2. DESIGNED FOR AASHTO HS-20 LOADING, 1 TO 3 FEET COVER.
3. GALLEY AVAILABLE IN BOTH END AND CENTER SECTIONS.
CENTER SECTIONS HAVE LARGE OPENING IN BOTH THE BACK AND FRONT SIDES.

SHEA PRODUCT ID: EGLPH/CGLPH	PREPARED FOR:	FILE NAME: Galley4X4lp	
WEIGHT (LBS): 1,875#/1,743#	DRAWN BY: ARO	DATE: 03/01/2018	
773 Salem Street-Wilmington, MA 153 Cranberry Hwy-Rochester, MA 87 Haverhill Road-Amesbury, MA 160 Old Turnpike Rd-Nottingham, NH			