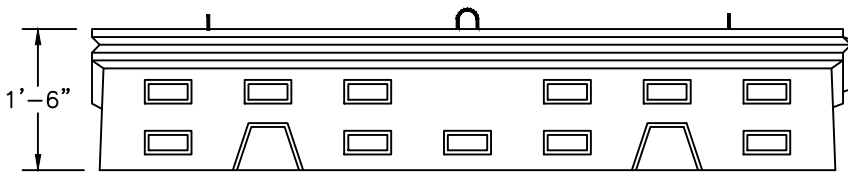
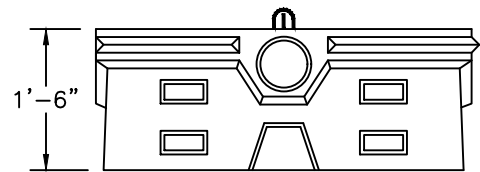


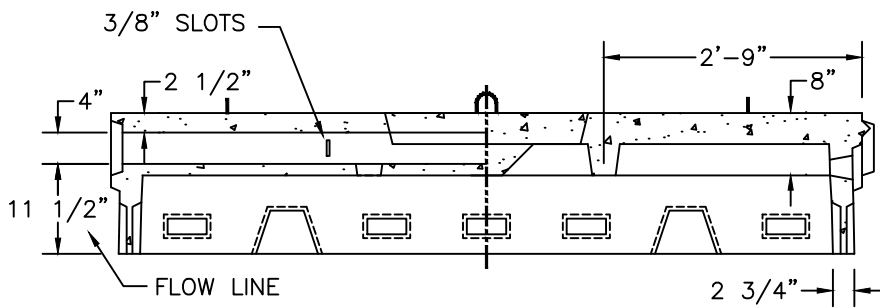
PLAN VIEW



SIDE VIEW

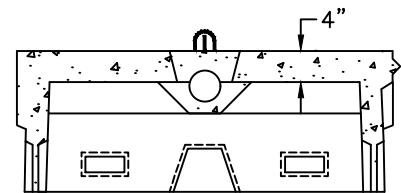


END VIEW



SIDE SECTION VIEW

AA



END SECTION VIEW

BB

NOTES:

1. CONCRETE: 4,000 PSI MINIMUM AFTER 28 DAYS.
2. REINFORCED STEEL CONFORMS TO LATEST ASTM SPEC.
3. DESIGNED FOR AASHTO HS-20 LOADING, 1 TO 5 FEET COVER.

SHEA PRODUCT ID: FDL

PREPARED FOR:

FILE NAME: Flwdif_L.dwg

WEIGHT (LBS): 3,111#

DRAWN BY: ARO

DATE: 06/01/18

PAGE: E3.1

