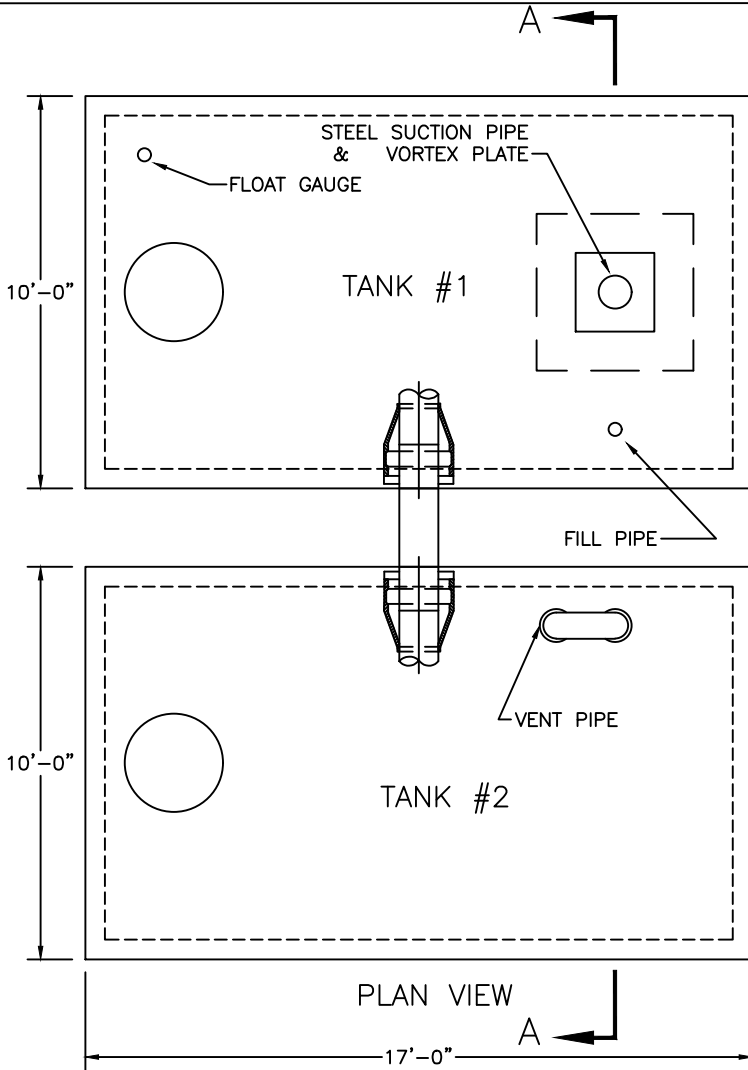


FIRE CISTERN

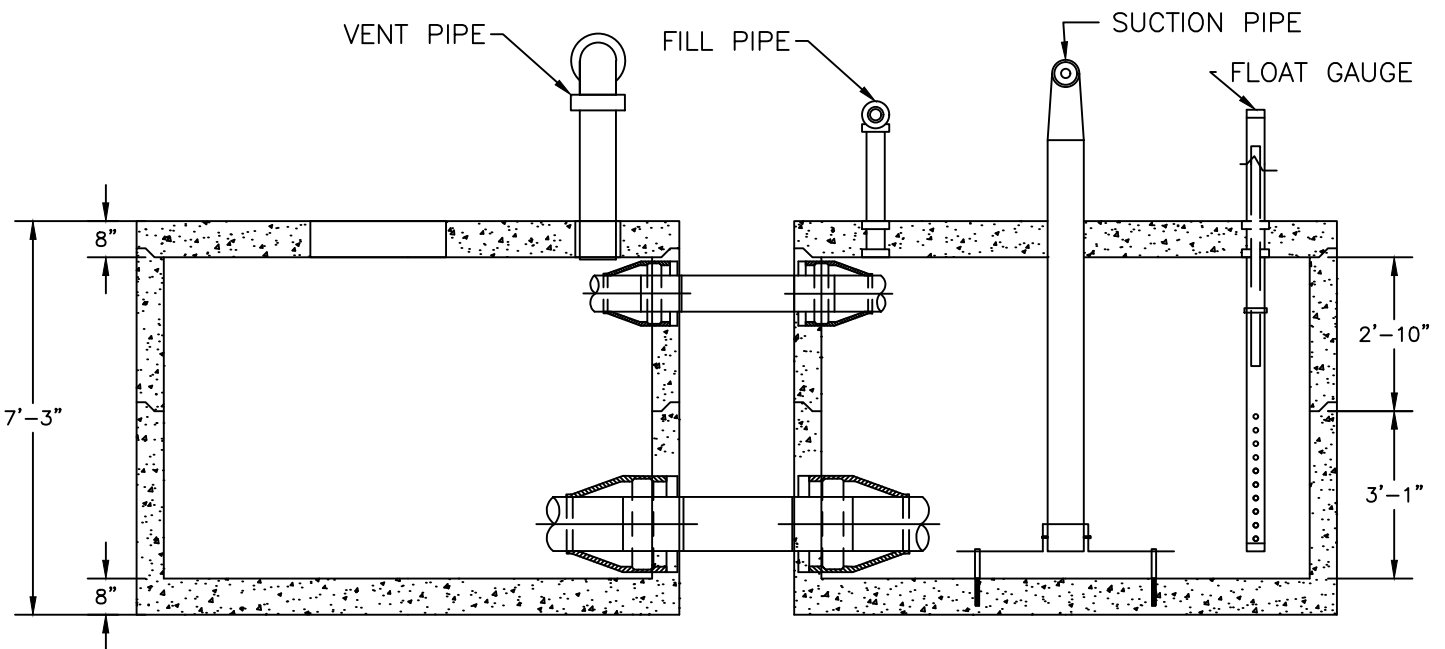


BACKFILL NOTES:

- 1) FOUNDATION MATERIAL SHALL BE ¾" CRUSHED STONE, MINIMUM 12" THICK.
- 2) BACKFILL MATERIAL SHALL BE NO GREATER THAN 1½" AND SHALL BE COMPACTED TO 95% PROCTOR. ALL COMPACTION TO BE DONE WITH HAND-OPERATED EQUIPMENT.
- 3) ALL AREAS BETWEEN TANKS SHALL BE FILLED TO A MINIMUM OF 12" ABOVE CROWN OF INTERCONNECTION PIPE WITH ¾" CRUSHED STONE.
- 4) ALL BACKFILL MATERIAL AROUND AND BETWEEN TANKS SHALL BE PLACED IN 12" LIFTS EVENLY ON ALL SIDES.
- 5) 2" INSULATION IS REQUIRED IF THE FILL OVER THE FIRE CISTERN IS LESS THAN 4 FEET. SUPPLIED BY OTHERS.

NOTES:

- 1) CONCRETE: 5,000 PSI MINIMUM AFTER 28 DAYS.
- 2) REINFORCING PER ASTM A615, GRADE 60 MINIMUM 1" COVER.
- 3) DESIGNED FOR AASHTO HS-20 LOADING, COVER 1 TO 5 FEET.
- 4) TONGUE AND GROOVE JOINT SEALED WITH BUTYL RESIN PER ASTM C990. OVERALL HEIGHT MAY INCREASE DUE TO THE BUTYL RESIN USED.
- 5) EXTERIOR COATED UPON REQUEST.
- 6) DIMENSIONS BASED ON 10,000 GALLON FIRE CISTERN, OTHER SIZES AVAILABLE UPON REQUEST.



SECTION A-A

SHEA PRODUCT ID:	PREPARED FOR:	FILE NAME:	FireCistern.dwg	
WEIGHT (LBS):	DRAWN BY: ARO	DATE: 06/01/18	PAGE: M11	

773 Salem Street-Wilmington, MA | 153 Cranberry Hwy-Rochester, MA | 87 Haverhill Road-Amesbury, MA | 160 Old Turnpike Rd-Nottingham, NH