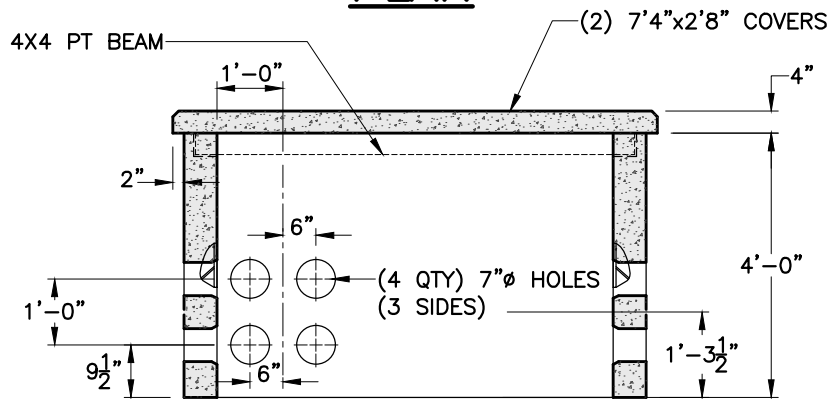
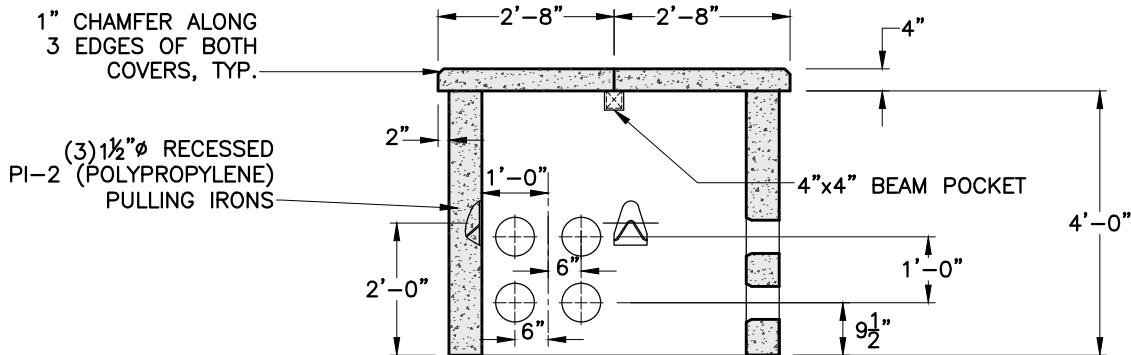


**PLAN**



**SECTION A-A**



**SECTION B-B**

NOTES:

1. CONCRETE MINIMUM STRENGTH 4,000 PSI AFTER 28 DAYS.
2. DESIGNED FOR H-10 LOADING.
3. STEEL REINFORCEMENT PER ASTM-A615 GRADE 60

WEIGHT

|              |           |
|--------------|-----------|
| COVER (EACH) | 675 LBS   |
| PULL BOX     | 6,500 LBS |

SHEA PRODUCT ID: PSNHMH4X6

FILE NAME: EVERSOURCE\_SPLICE PIT.dwg

WEIGHT (LBS): SEE TABLE

DRAWN BY: MNN

DATE: 11/28/2017

PAGE: III.A.4

