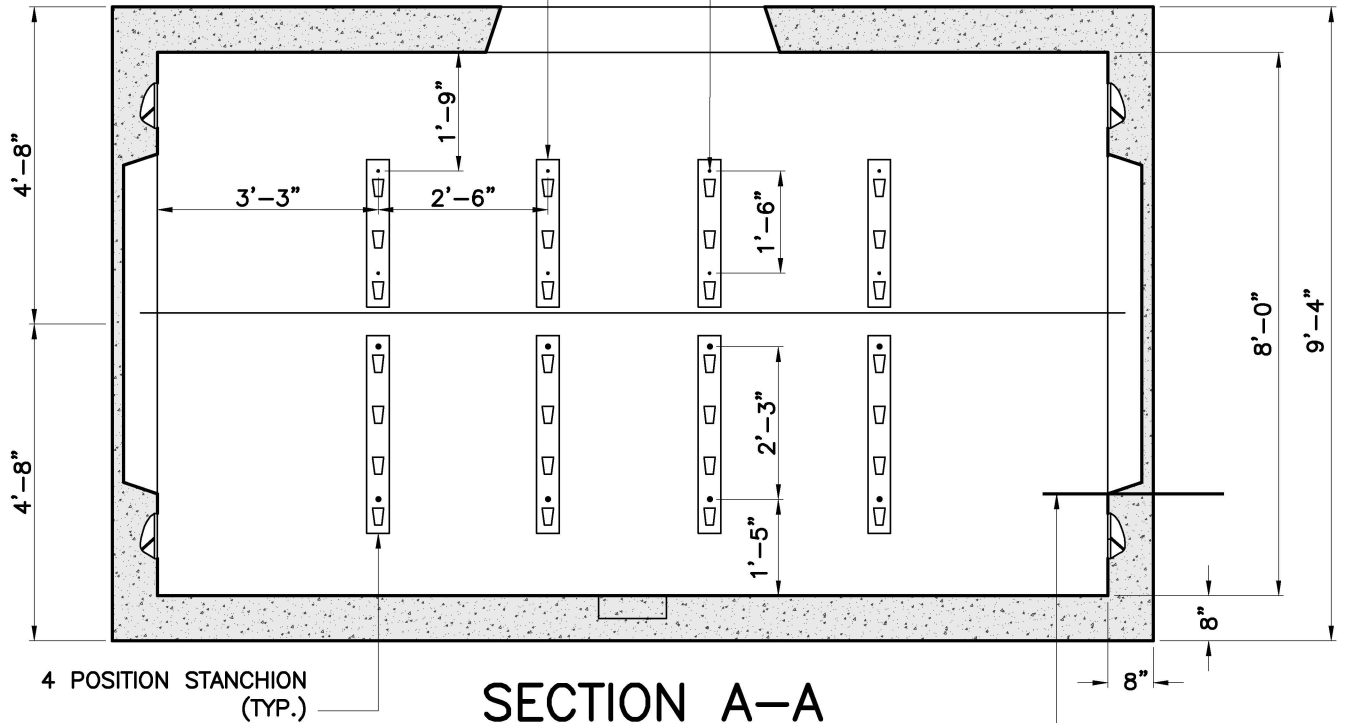
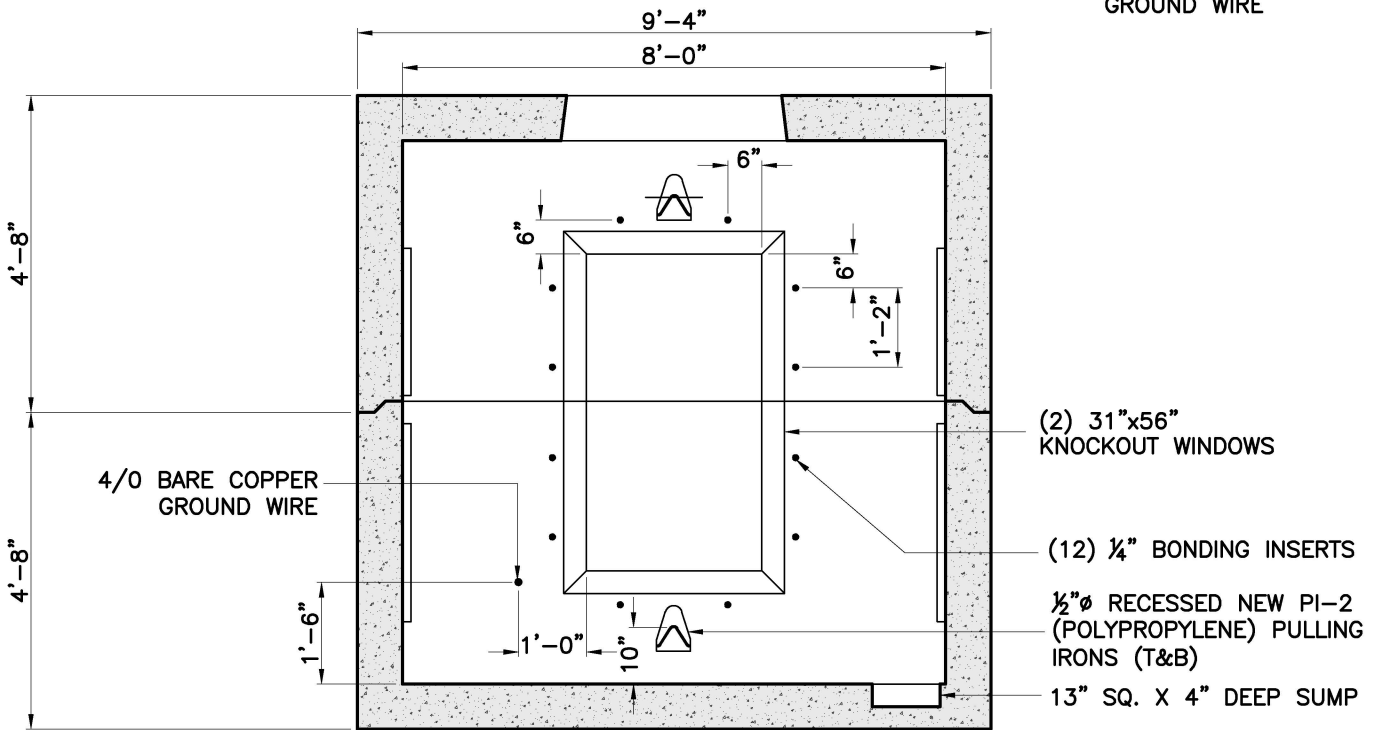


(24) 5/8" DIA THREADED STEEL INSERT (BOTH LONG WALLS)
 3 POSITION STANCHION (TYP.)



SECTION A-A
 OPPOSITE WALLS ARE MIRROR IMAGES.

4/0 BARE COPPER
 GROUND WIRE



SECTION B-B
 OPPOSITE WALLS ARE MIRROR IMAGES.

(2) 31"x56"
 KNOCKOUT WINDOWS

(12) 1/4" BONDING INSERTS

1/2"Ø RECESSED NEW PI-2
 (POLYPROPYLENE) PULLING
 IRONS (T&B)

13" SQ. X 4" DEEP SUMP

SHEA PRODUCT ID: NSM1214

FILE NAME: ES-MA M1214

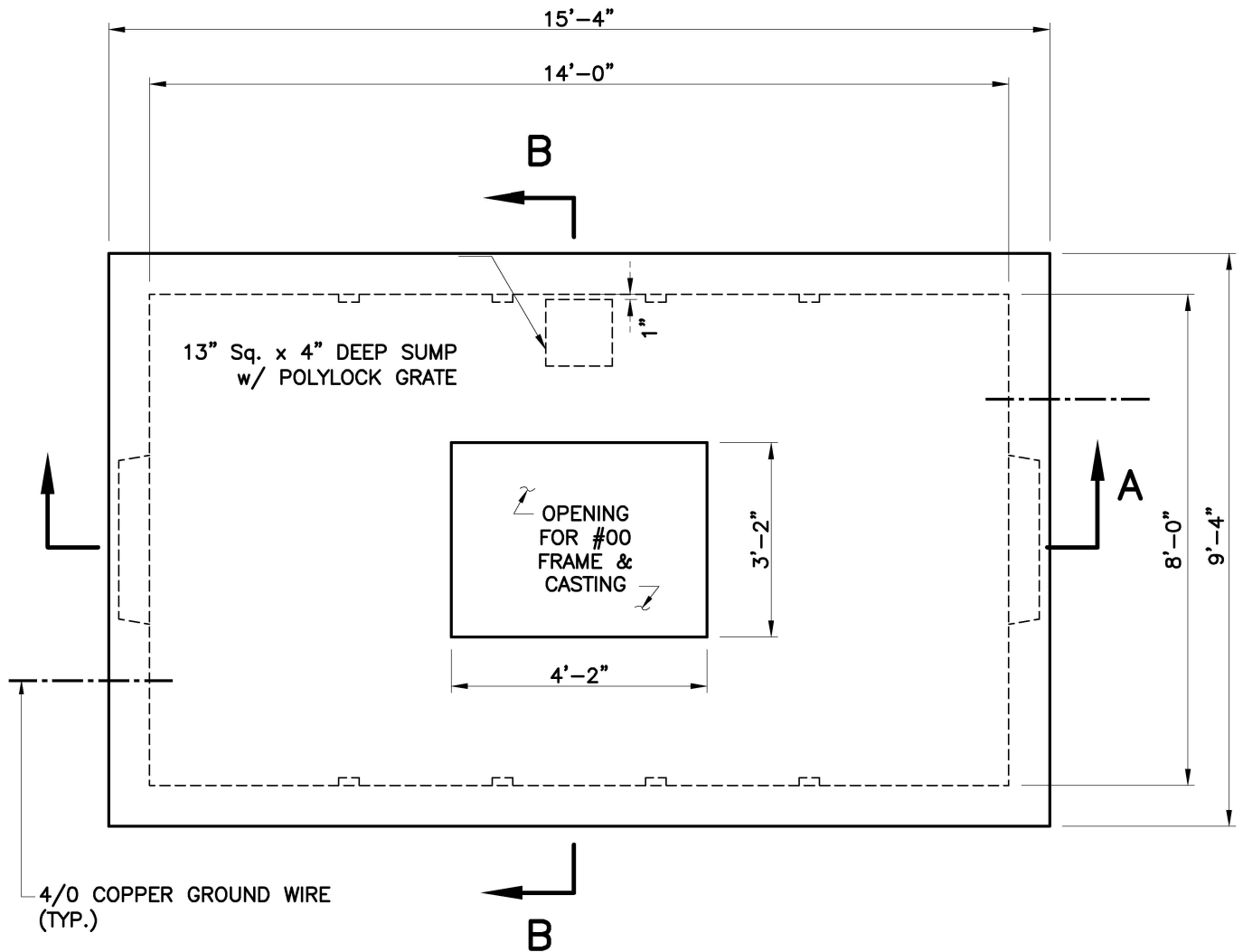
WEIGHT (LBS): 62675

DRAWN BY: L.P.

DATE: 9/22/2017

PAGE: I I.B.12-2





PLAN

NOTES:

1. CONCRETE: 5,000 PSI MINIMUM AFTER 28 DAYS.
2. DESIGN LOADING: AASHTO HS20-44, 0 TO 5 FEET COVER.
3. DESIGN SPECIFICATIONS - ACI 318 & AASHTO LOAD FACTOR DESIGN METHOD.
4. STEEL REINFORCEMENT CONFORMS TO ASTM A615, GRADE 60. MINIMUM STEEL COVER 1 1/2".
5. ALL TERMINATORS SHALL HAVE BELL ENDS FLUSH WITH THE INSIDE WALL.
6. CONSTRUCTION JOINT SHALL BE SEALED WITH 1"Ø BUTYL RUBBER OR APPROVED EQUAL.
7. RACKING/STANCHIONS SOLD SEPARATELY.

SHEA PRODUCT ID:	NSM1214	FILE NAME:	ES-MA M1214		
WEIGHT (LBS):	62675	DRAWN BY:	L.P.	DATE:	9/22/2017
				PAGE:	II.B.12-1

