

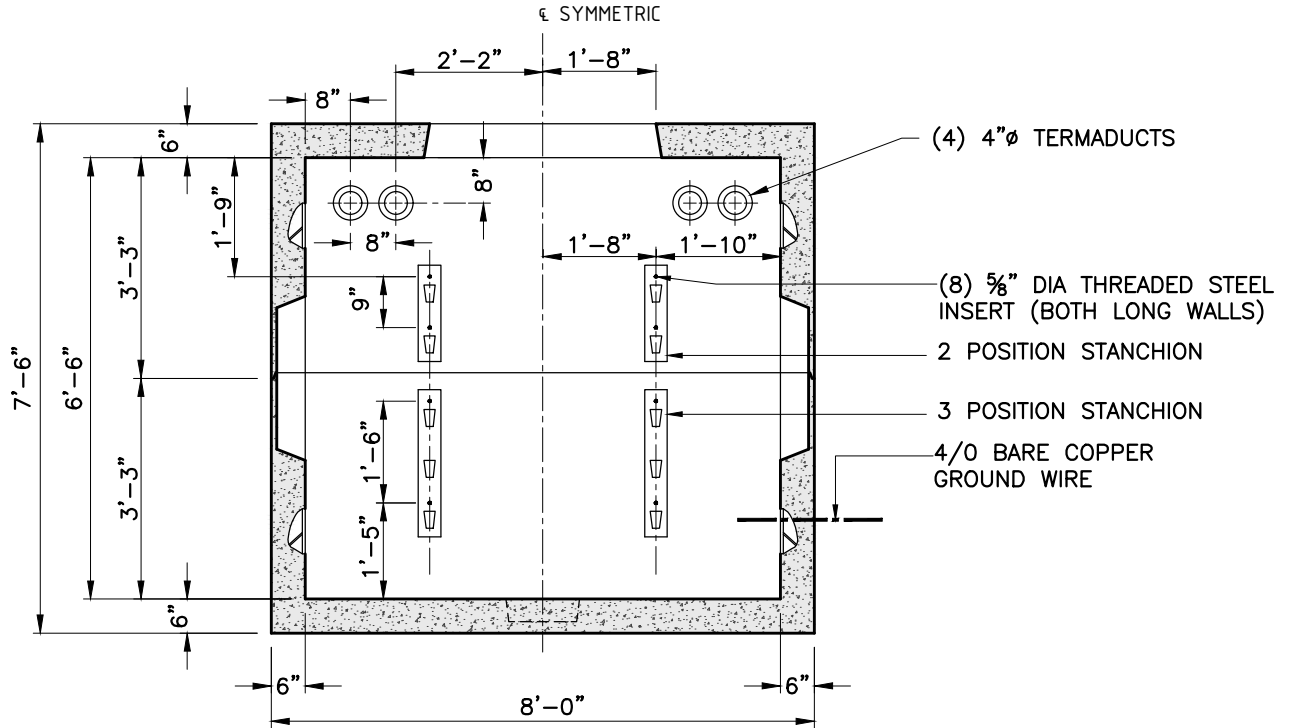
PLAN

NOTES:

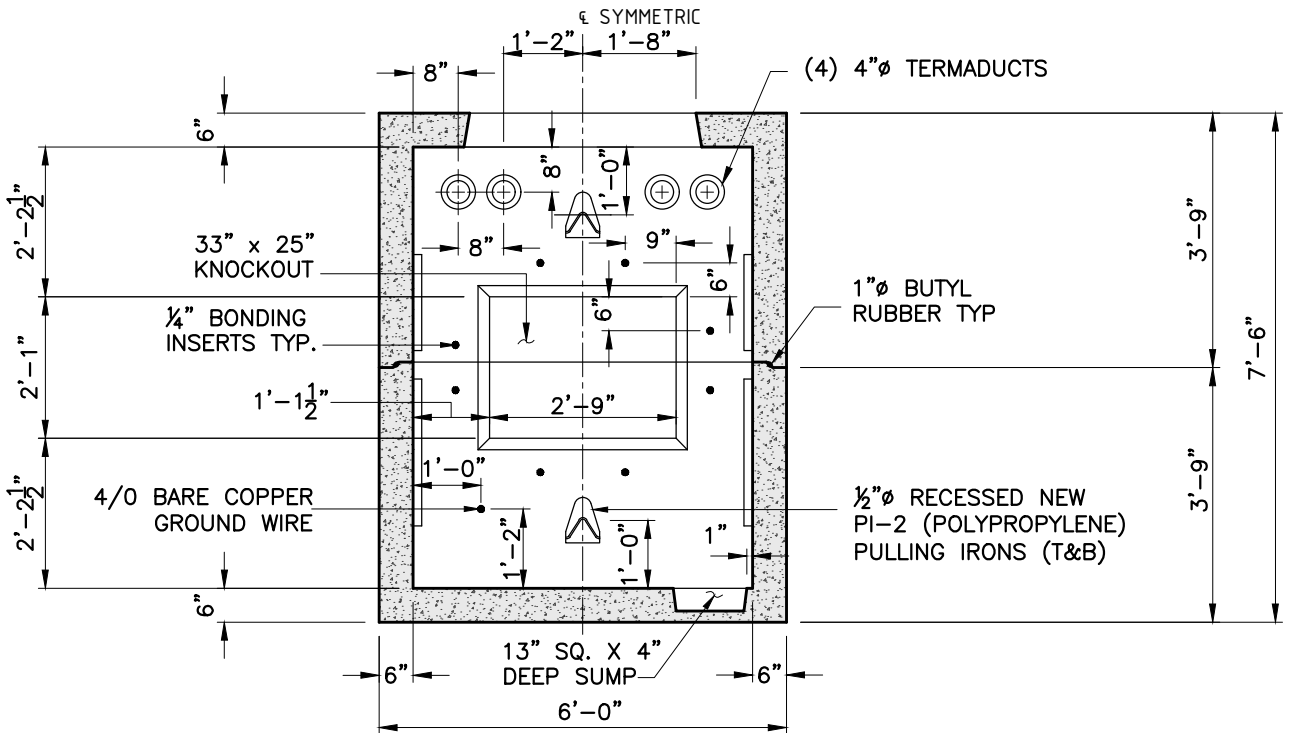
1. CONCRETE: 5,000 PSI MINIMUM AFTER 28 DAYS.
2. DESIGN LOADING: AASHTO HS20-44, 0 TO 5 FEET COVER.
3. DESIGN SPECIFICATIONS - ACI 318 & AASHTO LOAD FACTOR DESIGN METHOD.
4. STEEL REINFORCEMENT CONFORMS TO ASTM A615, GRADE 60. MINIMUM STEEL COVER 1 1/2".
5. ALL TERMINATORS SHALL HAVE BELL ENDS FLUSH WITH THE INSIDE WALL.
6. CONSTRUCTION JOINT SHALL BE SEALED WITH 1"Ø BUTYL RUBBER OR APPROVED EQUAL.
7. RACKING/STANCHIONS SOLD SEPARATELY.

SHEA PRODUCT ID:	NSM1209	FILE NAME:	ES-MA M1209		
WEIGHT (LBS):	18410	DRAWN BY:	L.P.	DATE:	9/15/2017
				PAGE:	II.B.8-1





SECTION A-A
 OPPOSITE WALLS ARE MIRROR IMAGES.



SECTION B-B
 OPPOSITE WALLS ARE MIRROR IMAGES.

SHEA PRODUCT ID:	NSM1209	FILE NAME:	ES-MA M1209		
WEIGHT (LBS):	18410	DRAWN BY:	L.P.	DATE:	9/15/2017
				PAGE:	II.B.8-2

