

V2B1 SIZING TABLE							
V2B1 MODEL #	D1 (ft.)	D2 (ft.)	S (ft.)	IMPERVIOUS AREA (acres)	INLET PIPE (in.)	TREATMENT FLOW (cfs)	PEAK FLOW (cfs)
3	4	5	4.1±	0.3-1.3	12	0-1	4
4	5	5	4.4±	1.3-2.0	15	1-2	6
6	6	5	4.7±	2.0-3.0	18	2-3	7
9	7	5	4.9±	3.0-4.0	21	3-5	9
11	8	6	5.1±	4.0-5.3	24	5-7	16
17	10	8	5.5±	5.3-8.3	30	7-10	25
25	12	8	5.9±	8.3-11.7	36	10-13	35

GENERAL NOTES:  
MANHOLE DESIGN SPECIFICATIONS CONFORM TO LATEST ASTM C478 SPEC. FOR PRECAST REINFORCED CONCRETE MANHOLE SECTIONS.

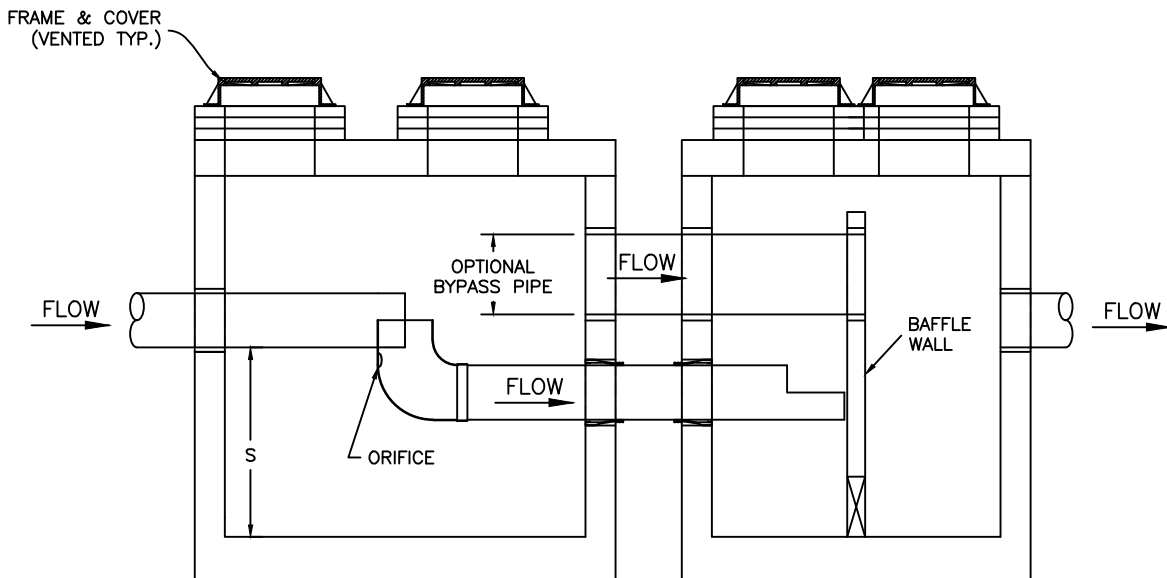
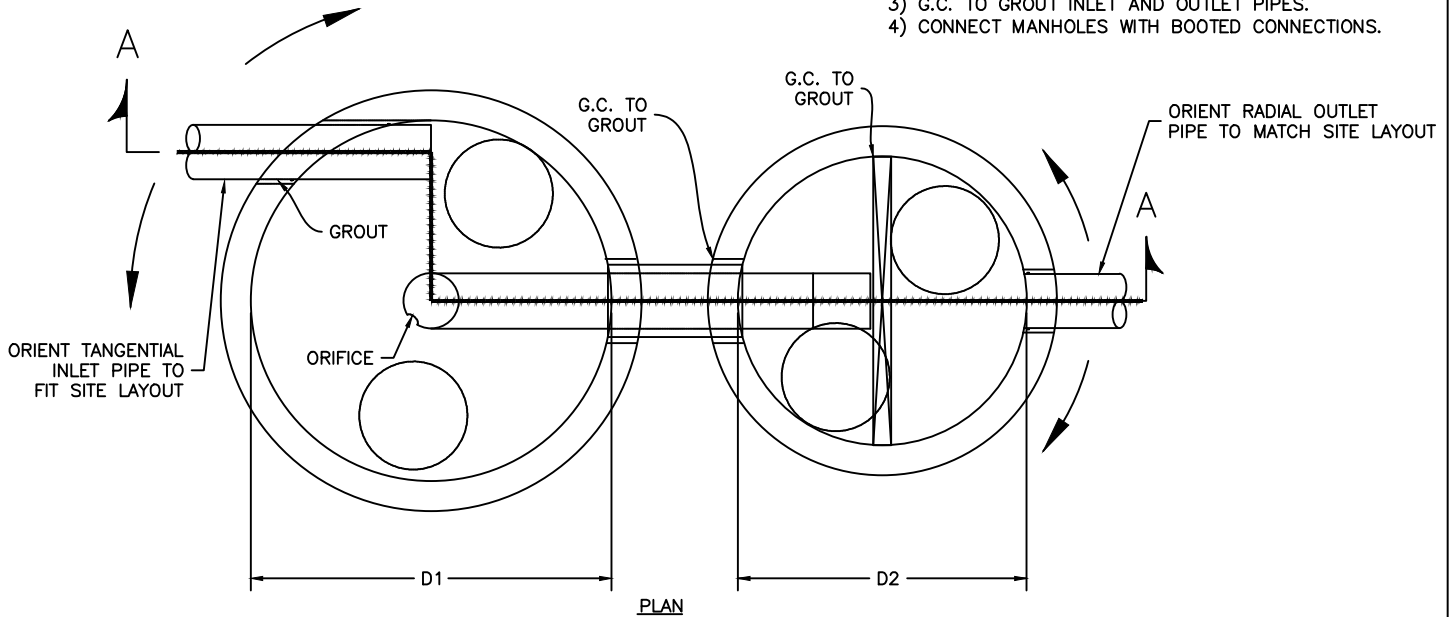
DESIGN LOADING: AASHTO HS-20

**NOTES:**

- 1) RAINFALL INTENSITY USED FOR TREATMENT FLOW = 0.80-1.0 IN/HR
- 2) MAXIMUM OPERATING LOSS APPROXIMATELY 0.5 FT

**MANUFACTURING NOTES:**

- 1) DESIGN OF INTERNAL PVC PIPING PROVIDED TO LICENSED MANUFACTURER BY ENVIRONMENT 21, LLC.
- 2) LOCATION AND SIZE OF MANHOLE OPENINGS MAY BE ADJUSTED BY LICENSED MANUFACTURER.
- 3) G.C. TO GROUT INLET AND OUTLET PIPES.
- 4) CONNECT MANHOLES WITH BOOTED CONNECTIONS.



PROPRIETARY INFORMATION: PATENTS PENDING - ALL RIGHTS TO ENVIRONMENT 21, LLC.

SECTION A-A

SHEA PRODUCT ID:  
V2B1XXXX

PREPARED FOR:

FILE NAME:  
ENV21V2B1.dwg

WEIGHT (LBS):

DRAWN BY:  
ARO

DATE:  
06/01/18

PAGE:  
H5.2

