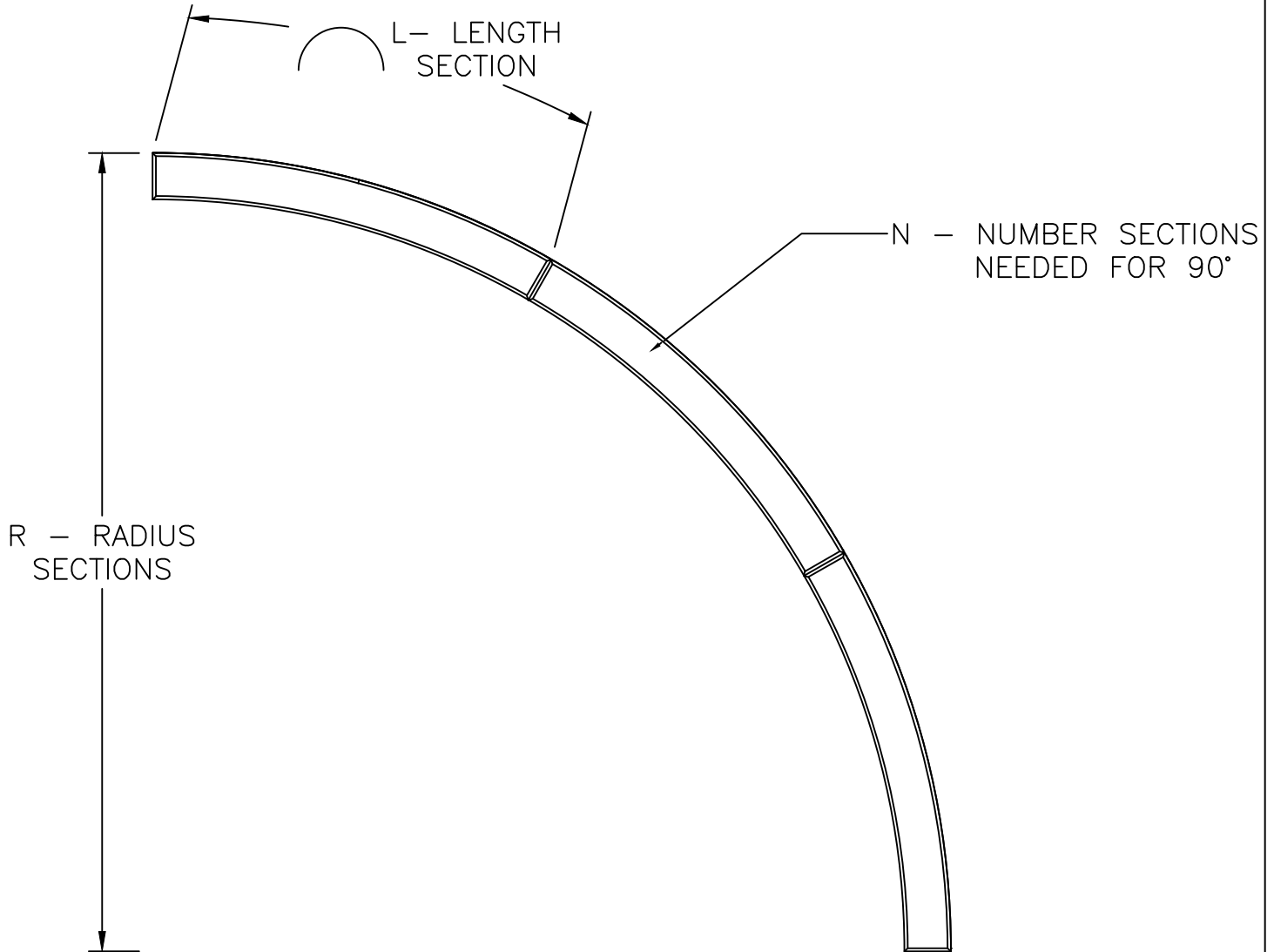
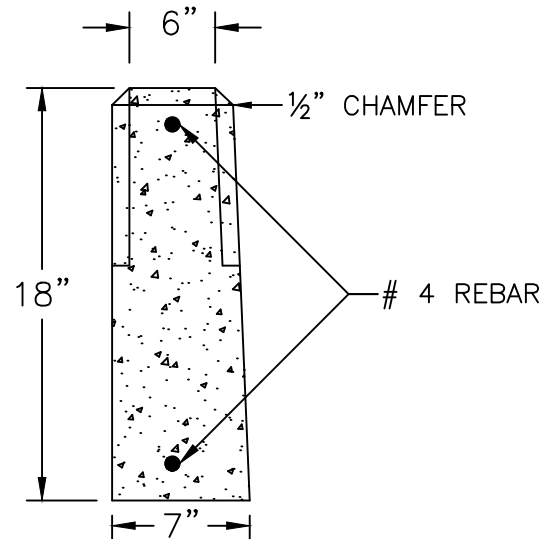


PRECAST CONCRETE CURB  
RADIUS SECTION LAYOUT



RADIUS (R)	NUMBER (N)	LENGTH (L)	ITEM NO.
1'	0.5 *	3.14'	C1R
2'	1	3.14'	C2R
3'	1	4.71'	C3R
4'	1	6.32'	C4R
5'	2	3.93'	C5R
7'	2	5.50'	C7R
10'	3	5.23'	C10R
12'	3	6.28'	C12R
15'	4	5.89'	C15R
18'	4	7.07'	C18R
20'	5	6.28'	C20R
25'	4.5	8.75'	C25R
30'	6	7.85'	C30R
35'	9	6.16'	C35R
40'	7.5	8.38'	C40R
45'	9	7.85'	C45R

\*Note: 1' Radius has 180° Angle Coverage



SHEA PRODUCT ID:  
SEE TABLE

PREPARED FOR:

FILE NAME:  
CURBDET.dwg

WEIGHT (LBS):  
VARIES

DRAWN BY:  
ARO

DATE:  
03/01/2018

PAGE:  
J5.4

