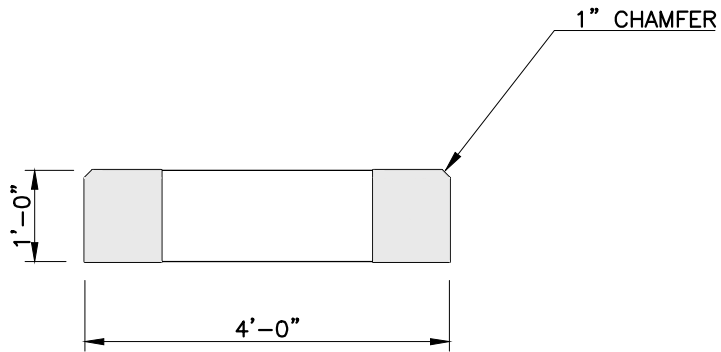


PLAN



SECTION

NOTES:

1. CONCRETE: 5,000 PSI MINIMUM AFTER 28 DAYS.
2. DESIGN LOADING: AASHTO HS20-44, 0 TO 5 FEET COVER.
3. DESIGN SPECIFICATIONS - ACI 318 & AASHTO LOAD FACTOR DESIGN METHOD.
4. STEEL REINFORCEMENT CONFORMS TO ASTM A615, GRADE 60. MINIMUM COVER 1"

SHEA PRODUCT ID:	BELD44	FILE NAME:	BELD 25-100KVA		
WEIGHT (LBS):	2320	DRAWN BY:	L.P.	DATE:	5/8/2018
				PAGE:	VIII.B.2

