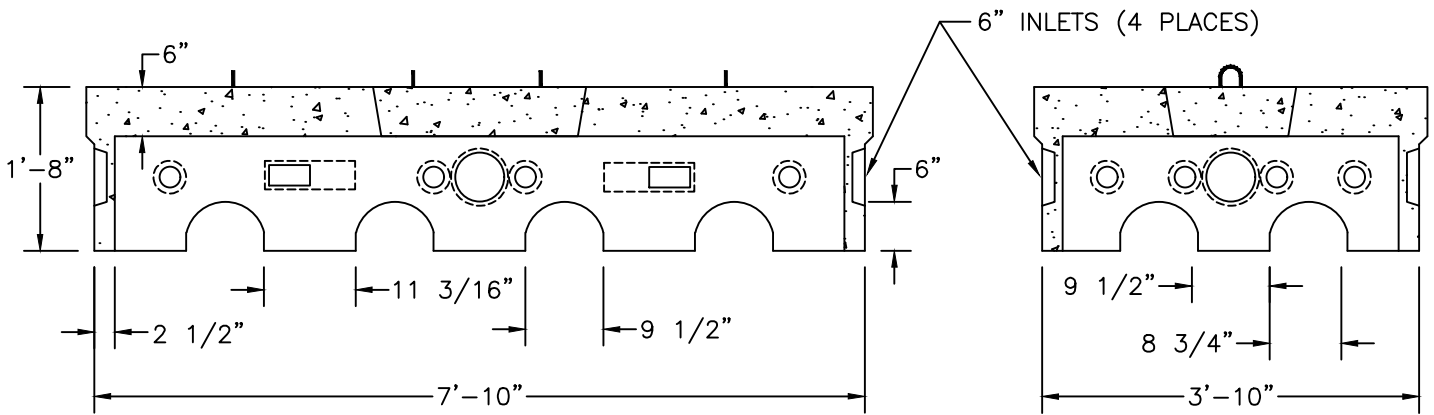


PLAN VIEW




SIDE SECTION VIEW

END SECTION VIEW

NOTES:

1. CONCRETE: 4,000 PSI MINIMUM AFTER 28 DAYS.
2. DESIGNED FOR AASHTO HS-20 LOADING, 1 TO 5 FT COVER.

SHEA PRODUCT ID: AC	PREPARED FOR:	FILE NAME: Amrchmbr.dwg	
WEIGHT (LBS): 3,111#	DRAWN BY: ARO	DATE: 03/01/2018	