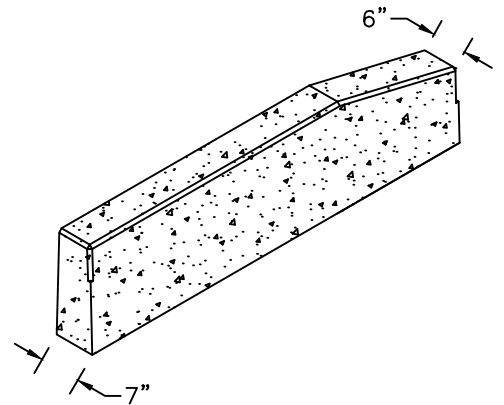
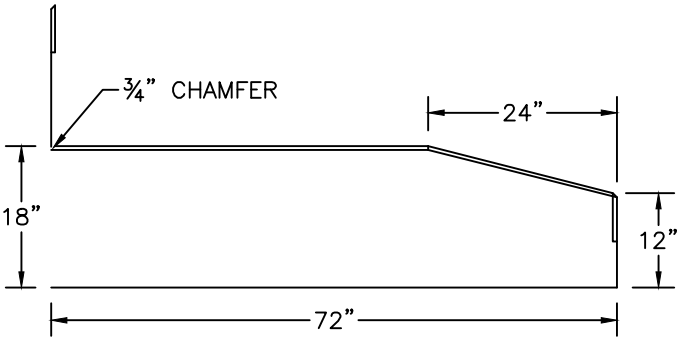


6' TRANSITION - 6FT TAPER

ITEM NO:	WEIGHT
C6E-6	685#




6' TRANSITION - 2FT TAPER

ITEM NO:	WEIGHT
C6E-2	678#

NOTES:

1. CONCRETE: 5,000 PSI MINIMUM AFTER 28 DAYS

SHEA PRODUCT ID: SEE TABLE	PREPARED FOR:	FILE NAME: 6TAPER.dwg	
WEIGHT (LBS): SEE TABLE	DRAWN BY: ARO	DATE: 06/01/18	
773 Salem Street-Wilmington, MA   153 Cranberry Hwy-Rochester, MA   87 Haverhill Road-Amesbury, MA   160 Old Turnpike Rd-Nottingham, NH			