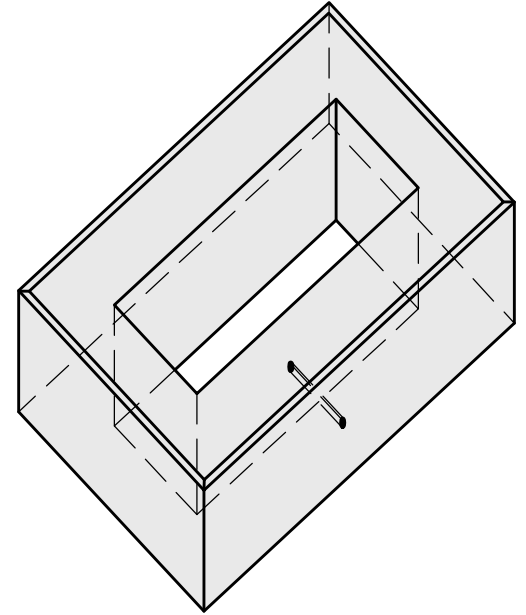
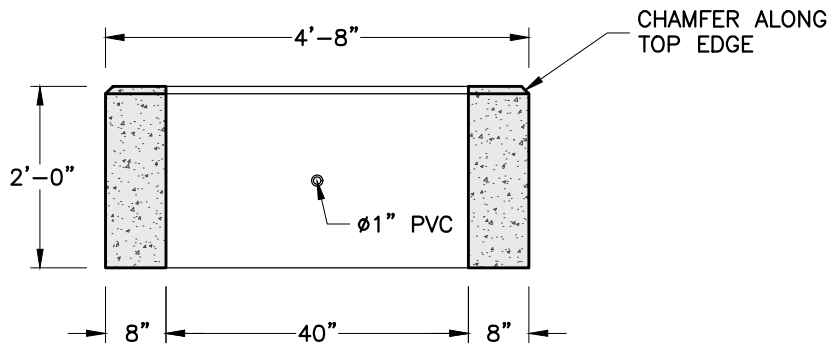


PLAN

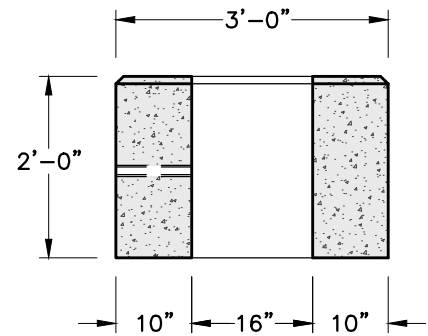


ISOMETRIC

N.T.S.



SECTION A-A



SECTION B-B

NOTES:

1. CONCRETE MINIMUM STRENGTH 4,000 PSI AFTER 28 DAYS.
2. REINFORCEMENT: #5 REBAR.
3. SECTOR CABINET CODE 391-004 / 391-005.
4. MEETS OR EXCEEDS EVERSOURCE SPECIFICATIONS.

SHEA PRODUCT ID: PSNH SECT1

FILE NAME: ES-NH 53-125 SECTOR CAB.dwg

WEIGHT (LBS): 2,850#

DRAWN BY: MNN

DATE: 01/03/2018

PAGE: III.A.1

