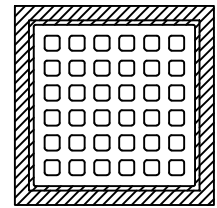
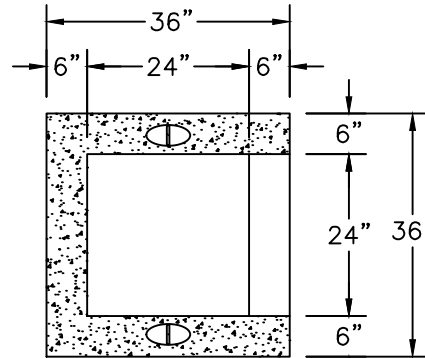


OPENING SIZE AND SHAPE AS SPECIFIED

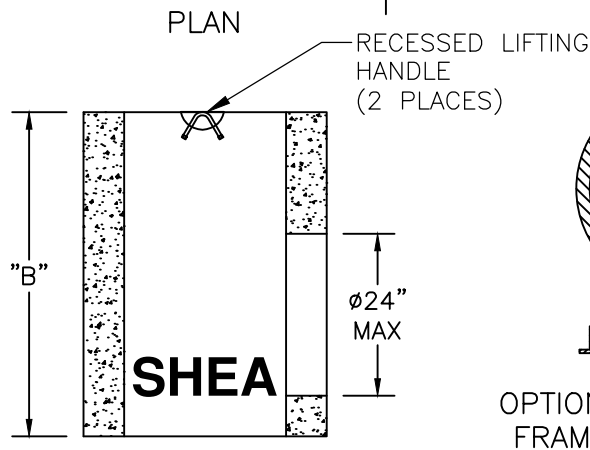


AVAILABLE TOP SLAB
EST WEIGHT: 660 LBS

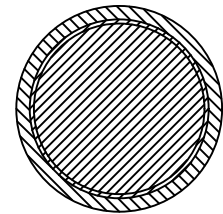


OPTIONAL CAST IRON
FRAME AND GRATE

RISER WEIGHTS		
ITEM CODE	DIM "B"	EST. WEIGHT
	12"	750#
	18"	1,120#
DIRS-24X24	24"	1,500#
	30"	1,850#
DIRS-24X36	36"	2,250#
	42"	2,625#
DIRS-24X48	48"	3,000#
	54"	3,375#
DIRS-24X60	60"	3,750#
	66"	4,125#
	72"	4,500#

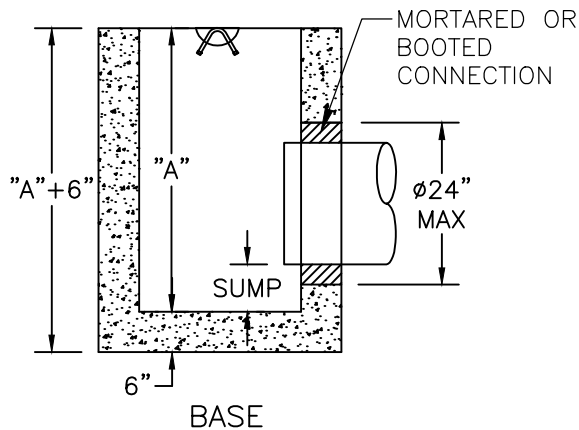


RISER



OPTIONAL CAST IRON
FRAME AND COVER

SUMP WEIGHTS		
ITEM CODE	DIM "A"	EST. WEIGHT
18SSGI	18"	1,780#
24SSGI	24"	2,150#
30SSGI	30"	2,520#
36SSGI	36"	2,910#
42SSGI	42"	3,260#
48SSGI	48"	3,660#
54SSGI	54"	4,000#
60SSGI	60"	4,410#
66SSGI	66"	4,800#
72SSGI	72"	5,170#



BASE

NOTES:

1. CONCRETE: 4,000 PSI MIN. AFTER 28 DAYS
2. DESIGNED FOR AASHTO HS-20 LOADING
3. SUMP AS REQUIRED