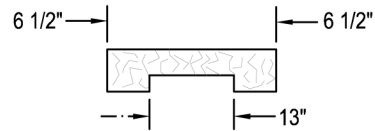
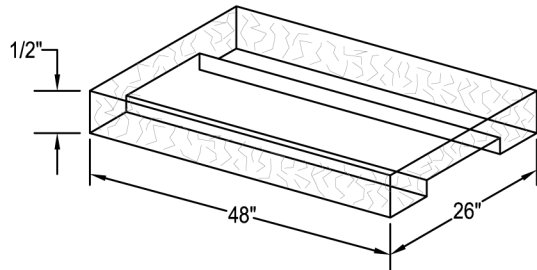


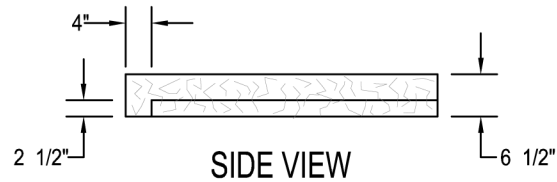
SIDE VIEW



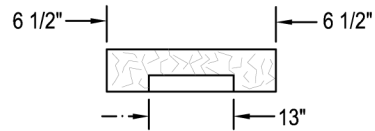
END VIEW



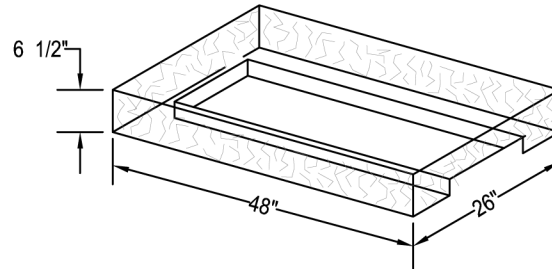
CAPSTONE
(Textured On All Sides)



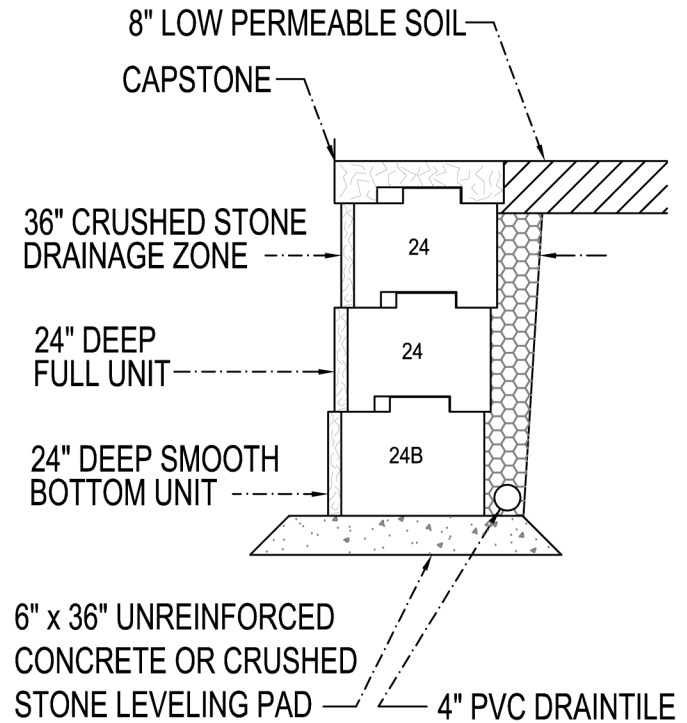
SIDE VIEW



END VIEW



END CAPSTONE



Notes:

1. Each Capstone should be glued to the block beneath it (PL Premium is the recommended concrete adhesive).
2. Each Capstone weighs approximately 600 pounds. It should be installed using a scissors clamp with protective rubber grips on the inside of the clamp.
3. The Capstone will need to be cut when being installed on curved walls or when a Half Cap is required.

Copyright 2009 Shea Wall Systems, Inc.

Design is for internal stability of the Shea wall structure only. External stability, including but not limited to foundation and slope stability is the responsibility of the Owner. The design is based on the assumption that the materials within the retained mass, methods of construction, and quality of materials conform to Shea's specification for this project.

Disclaimer: This drawing was prepared by Shea Wall Systems, Inc. and to the best of our knowledge, accurately represents the product use in the application that is illustrated. This drawing is for conceptual, instructional, and estimating purposes only. Anyone making use of this drawing does so at their own risk and assumes all liability for such use. Final design for construction purposes must be done by a registered professional engineer who is familiar with the product and who has taken into account the specific site conditions.



DRAWING # 200

CAPSTONE UNIT DETAILS

SHEA WALL SYSTEMS, INC
87 Haverhill Street
Amesbury, MA 01913
Phone: 800-696-7432
Phone: 978-388-1509
www.sheaconcrete.com