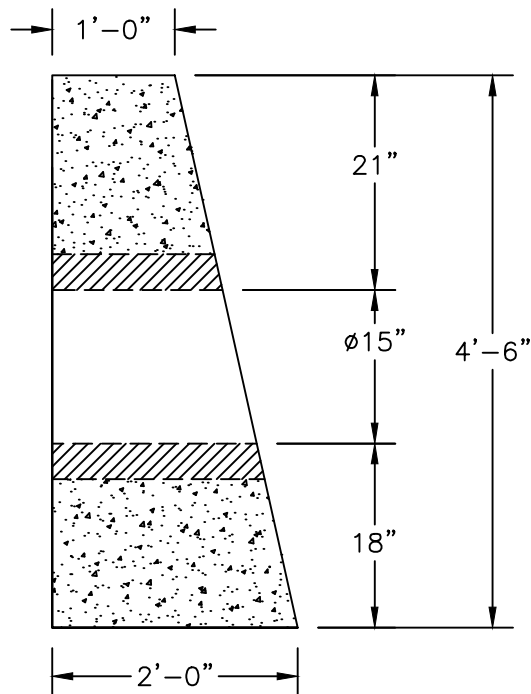


FRONT VIEW



SIDE VIEW

NOTES

1. CONCRETE: FC = 4,000 PSI @ 28 DAYS MIN
2. REINFORCING STEEL: ASTM A615 GRADE #60

SHEA PRODUCT ID:  
HWSNHDOT-15

PREPARED FOR:

FILE NAME: 15in PIPE NHDOT.dwg

WEIGHT (LBS):  
6,000#

DRAWN BY: ARO

DATE: 06/01/18

PAGE: G11.4-2

