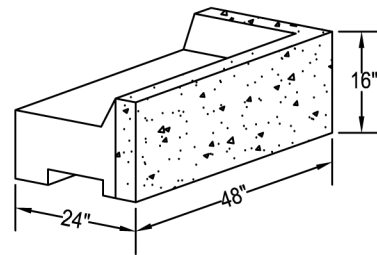
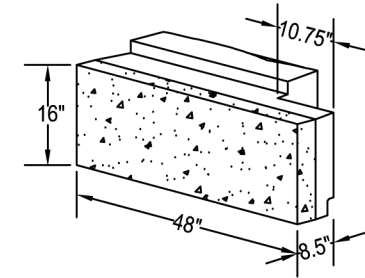


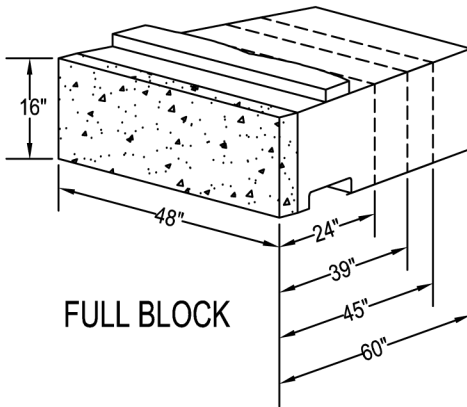
FULL TOP BLOCK



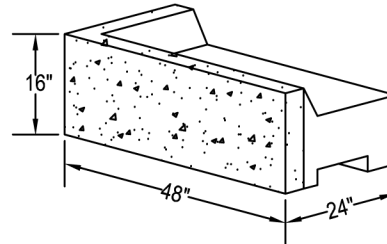
RIGHT CORNER TOP BLOCK



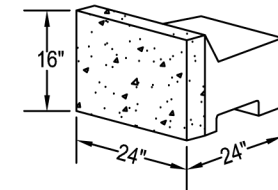
FITTING BLOCK



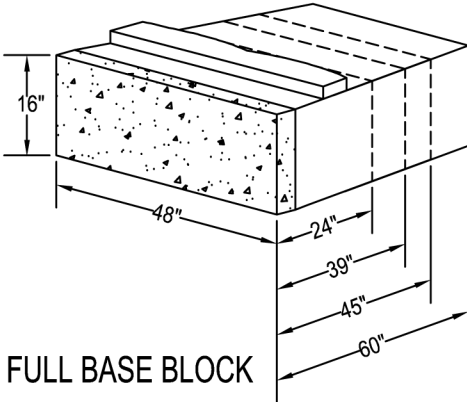
FULL BLOCK



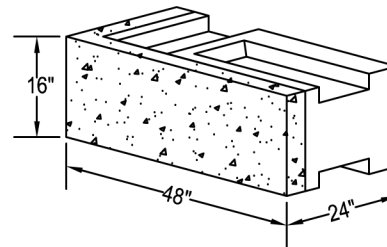
LEFT CORNER TOP BLOCK



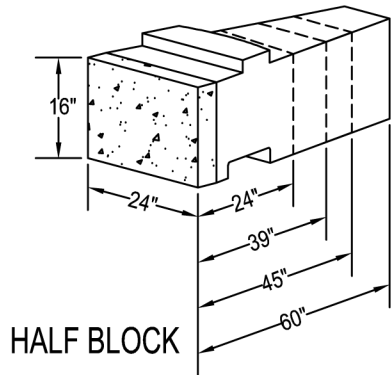
HALF TOP BLOCK



FULL BASE BLOCK



REVERSIBLE CORNER BLOCK
(USE FOR 90° CORNERS)



HALF BLOCK

Copyright 2009 Shea Wall Systems, Inc.

Design is for internal stability of the Shea wall structure only. External stability, including but not limited to foundation and slope stability is the responsibility of the Owner. The design is based on the assumption that the materials within the retained mass, methods of construction, and quality of materials conform to Shea's specification for this project.

Disclaimer: This drawing was prepared by Shea Wall Systems, Inc. and to the best of our knowledge, accurately represents the product use in the application that is illustrated. This drawing is for conceptual, instructional, and estimating purposes only. Anyone making use of this drawing does so at their own risk and assumes all liability for such use. Final design for construction purposes must be done by a registered professional engineer who is familiar with the product and who has taken into account the specific site conditions.



DRAWING # 100

BLOCK TYPES

SHEA WALL SYSTEMS, INC
87 Haverhill Street
Amesbury, MA 01913
Phone: 800-696-7432
Phone: 978-388-1509
www.sheaconcrete.com