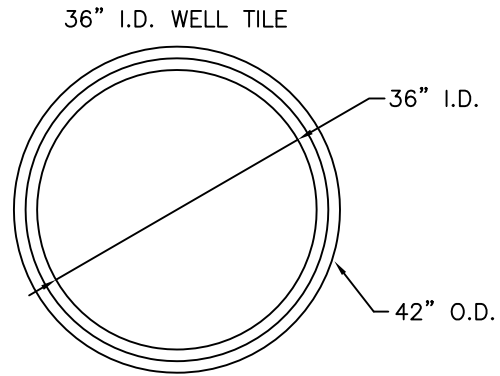
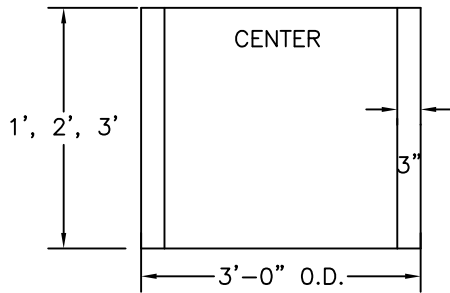


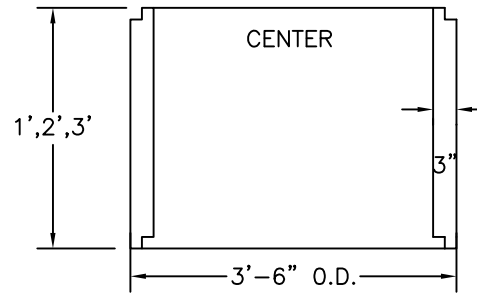
PLAN VIEW



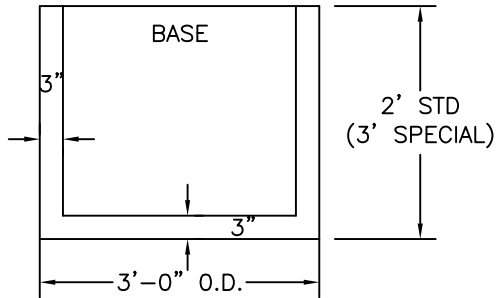
PLAN VIEW



SECTION VIEW



SECTION VIEW

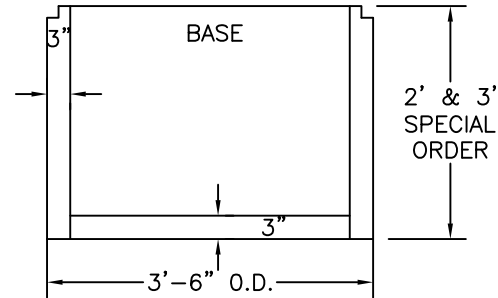


SECTION VIEW

RISER SECTION

HEIGHT	ITEM NO	WEIGHT
1'-0"	WT30X12	320#
2'-0"	WT30X24	640#
3'-0"	WT30X36	960#

HEIGHT	ITEM NO	WEIGHT
2'-0"	WT30X24WB	820#
3'-0"	WT30X36WB	1,140#



SECTION VIEW

RISER SECTION

HEIGHT	ITEM NO	WEIGHT
1'-0"	WT36X12	377#
2'-0"	WT36X24	755#
3'-0"	WT36X36	1,132#

HEIGHT	ITEM NO	WEIGHT
2'-0"	WT36X24WB	1,016#
3'-0"	WT36X36WB	1,394#

NOTES:

1. CONCRETE: 4,000 PSI MINIMUM AFTER 28 DAYS.



New England's Premier Precaster
800-696-7432 (SHEA)
www.sheaconcrete.com

WELL TILES

773 Salem Street
P.O. Box 520
Wilmington, MA 01887

87 Haverhill Road
P.O. Box 807
Amesbury, MA 01913

160 Old Turnpike Road
Nottingham, NH 03290

Page: M1

welltile.dwg

1/12/00

