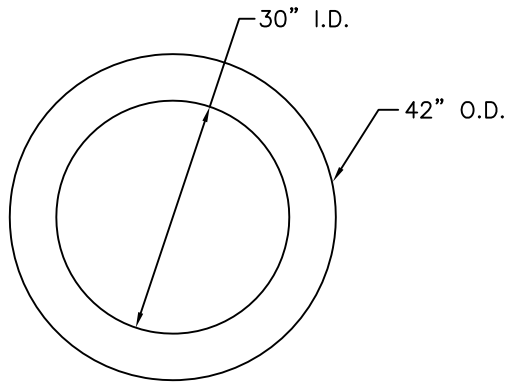
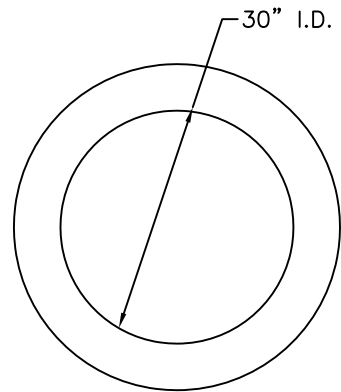


CENTER

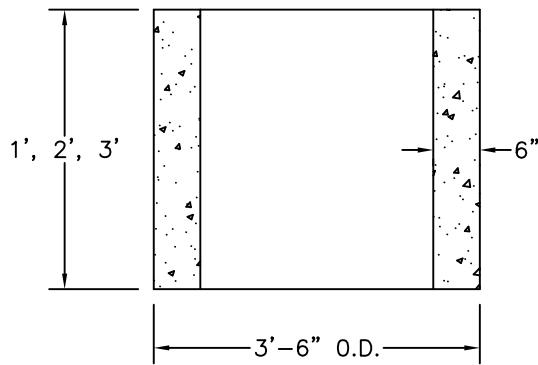


PLAN VIEW

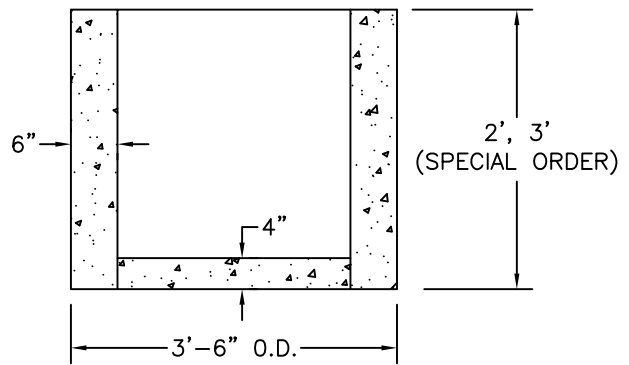
BASE



PLAN VIEW



SECTION VIEW



SECTION VIEW

RISER SECTION

HEIGHT	ITEM NO	WEIGHT
1'-0"	WT30X12H	697#
2'-0"	WT30X24H	1,394#
3'-0"	WT30X36H	2,091#

BASE SECTION

HEIGHT	ITEM NO	WEIGHT
2'-0"	WT30X24HWB	1,575#
3'-0"	WT30X36HWB	2,272#

NOTES:

1. CONCRETE: 4,000 PSI MINIMUM AFTER 28 DAYS.



New England's Premier Precaster  
800-696-7432 (SHEA)  
www.sheaconcrete.com

WELL TILE  
30" I.D. H-20

773 Salem Street  
P.O. Box 520  
Wilmington, MA 01887

87 Haverhill Road  
P.O. Box 807  
Amesbury, MA 01913

160 Old Turnpike Road  
Nottingham, NH 03290

Page: M2  
wellth20.dwg

1/12/00

