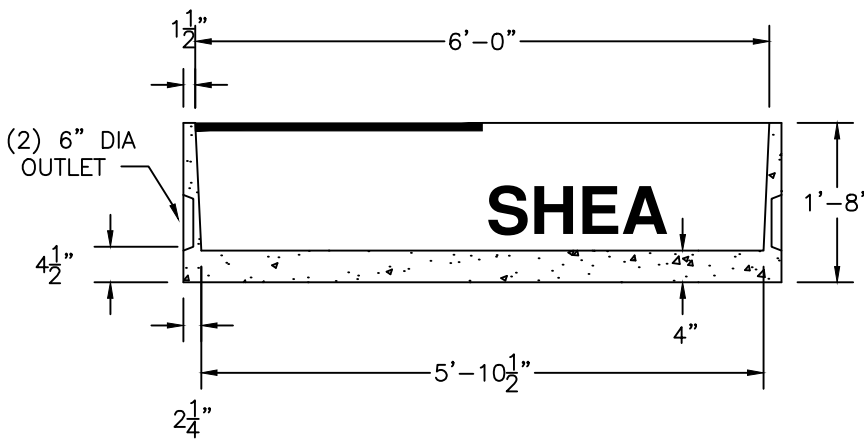
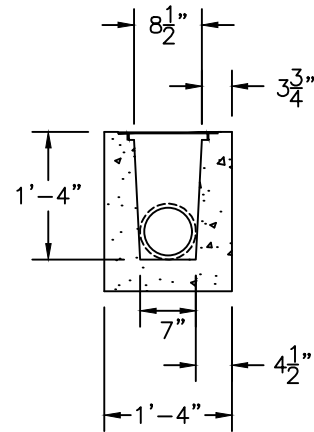


PLAN VIEW



SIDE SECTION VIEW

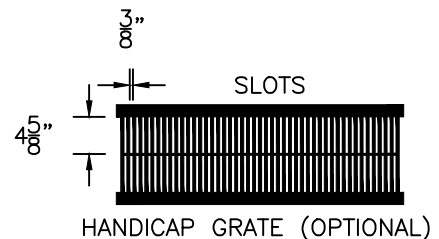


END SECTION VIEW

			WEIGHT
ITEM NO.	TD6	6' SECTION	1,315#
	TD3	3' SECTION	711#

NOTES:

1. CONCRETE: 4,000 PSI MINIMUM AFTER 28 DAYS.
2. AVAILABLE IN 3' AND 6' SECTIONS.
3. AVAILABLE IN END, MIDDLE, OR CLOSED SECTIONS.
4. DESIGNED FOR AASHTO HS-20 LOADING.



HANDICAP GRATE (OPTIONAL)

SHEA PRODUCT ID: TD3/TD6	PREPARED FOR:	FILE NAME: trenchdrain8x16.dwg	
WEIGHT (LBS): 711#/1,315#	DRAWN BY: ARO	DATE: 06/01/18	
773 Salem Street-Wilmington, MA 153 Cranberry Hwy-Rochester, MA 87 Haverhill Road-Amesbury, MA 160 Old Turnpike Rd-Nottingham, NH			