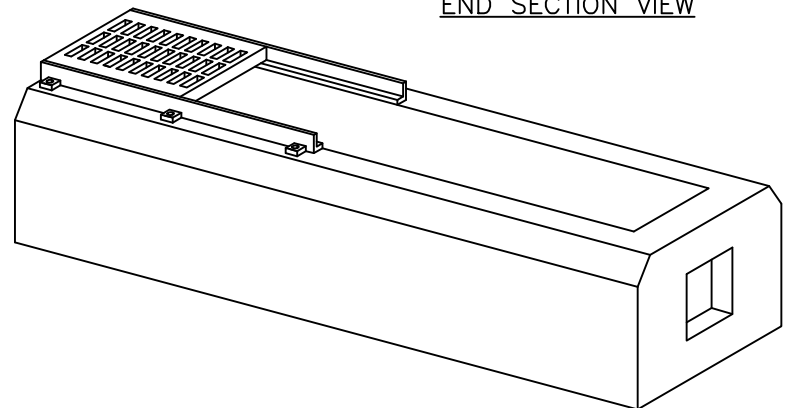
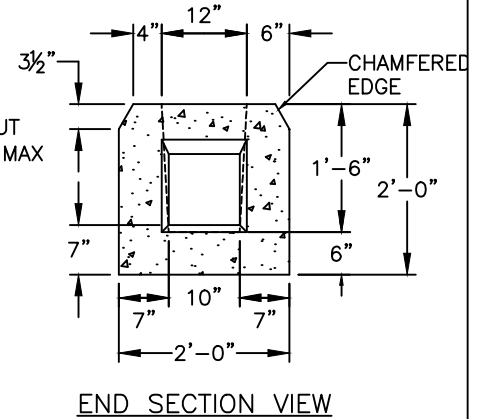
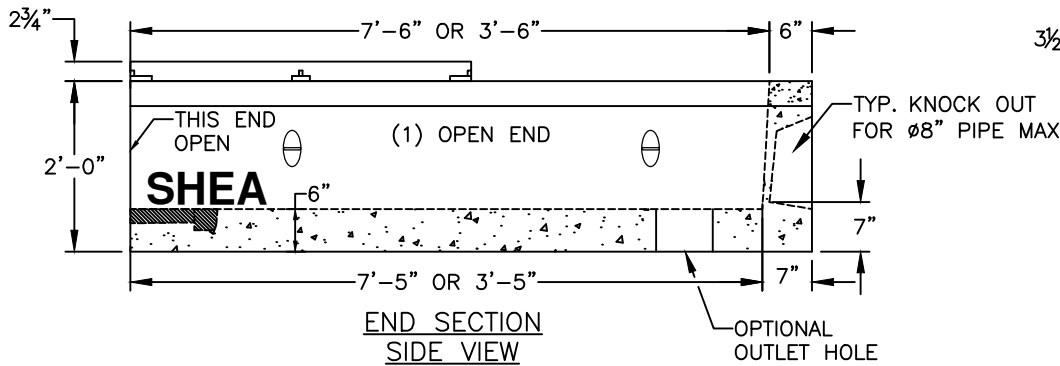
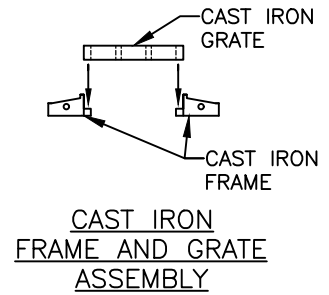
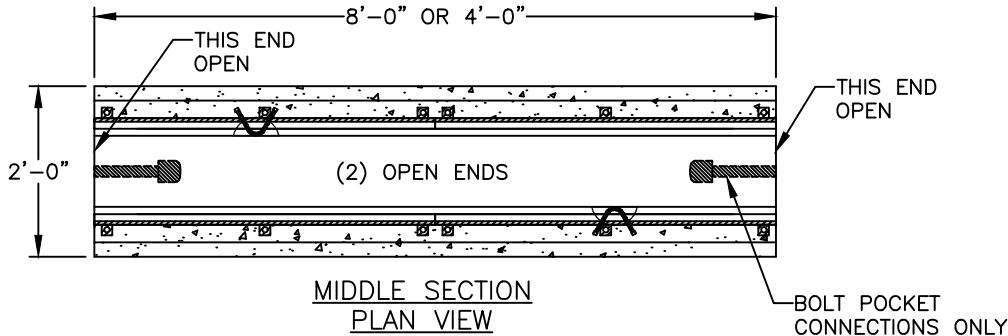
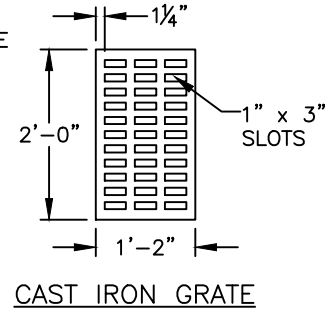
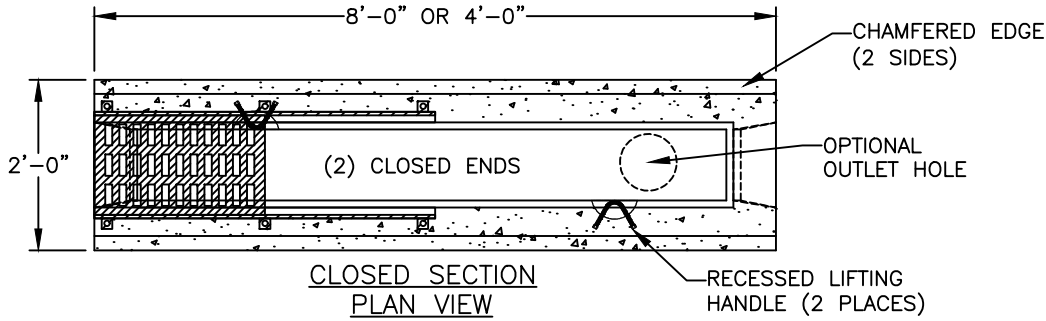


12" X 18" TRENCH DRAIN



NOTES:

1. MINIMUM CONCRETE COMPRESSIVE STRENGTH: 4,000 PSI AFTER 28 DAYS.
2. REINFORCING STEEL: A615 GRAD 60 BLACK DEFORMED BARS
3. AVAILABLE IN 4' AND 8' SECTIONS.
4. AVAILABLE IN CENTER, END OR MIDDLE SECTIONS.
5. DESIGNED FOR AASHTO HS-20 LOADING.
6. GRATING TO BE ATTACHED BY CONTRACTOR.
7. END KNOCK OUTS SIZED FOR MAXIMUM Ø8" PIPE.
8. SLOPED FLOOR IF REQUIRED TO BE INSTALLED BY OTHERS AFTER INSTALLATION.

ISOMETRIC VIEW

12" x 18" TRENCH DRAIN		
ITEM CODE	SECTION TYPE	WEIGHT
TD-8	CLOSED	3,075#
TD-8	MIDDLE	3,000#
TD-8	END	3,030#
TD-4	CLOSED	1,575#
TD-4	MIDDLE	1,500#
TD-4	END	1,540#

SHEA PRODUCT ID: SEE TABLE

PREPARED FOR:

FILE NAME: trenchdrain12x18

WEIGHT (LBS): SEE TABLE

DRAWN BY: ARO

DATE: 06/01/18

PAGE: H6.2

