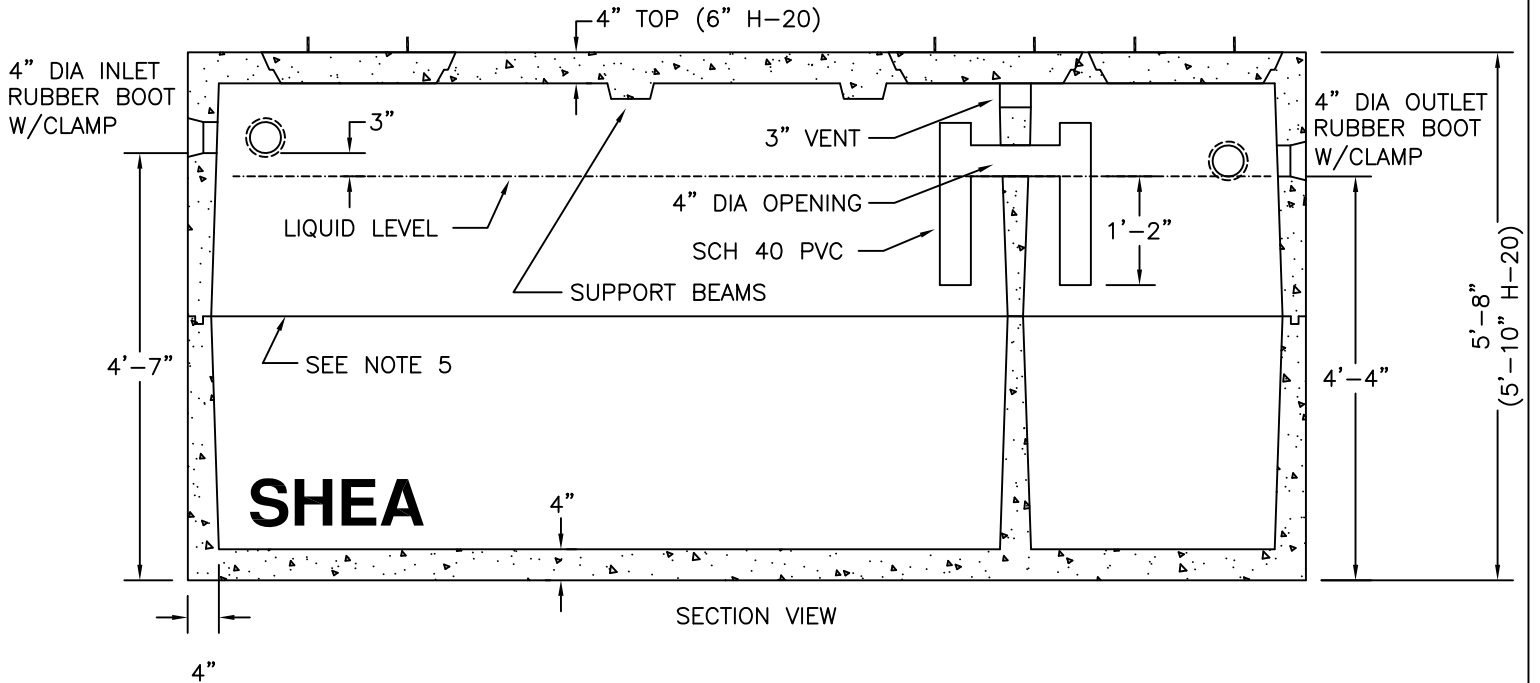


PLAN VIEW



SECTION VIEW

NOTES:

1. CONCRETE: 4,000 PSI MINIMUM AFTER 28 DAYS.
2. DESIGN CONFORMS WITH 310 CMR 15.00, DEP TITLE 5 REGS, FOR SEPTIC TANKS.
3. ALL REINFORCEMENT PER ASTM C1227.
4. TEES AND GAS BAFFLE SOLD SEPARATELY.
5. TONGUE & GROOVE JOINT SEALED WITH BUTYL RESIN.
6. ALSO AVAILABLE IN H-20 LOADING.

ITEM NO. TK-2000COMBO	STANDARD	15,685#
TK-2000COMBOH	H-20	17,610#

SHEA *New England's Premier Precaster*
 CONCRETE PRODUCTS
 800-696-7432 (SHEA)
 www.sheaconcrete.com

773 Salem Street-Wilmington, MA 153 Cranberry Hwy-Rochester, MA
 87 Haverhill Road-Amesbury, MA 160 Old Turnpike Rd-Nottingham, NH
 Mail to: PO Box 520-Wilmington, MA 01887

COMBINATION TANK
 1500 SEPTIC/500 PC

Page: B4

tkcombo.dwg 02/01/2013

