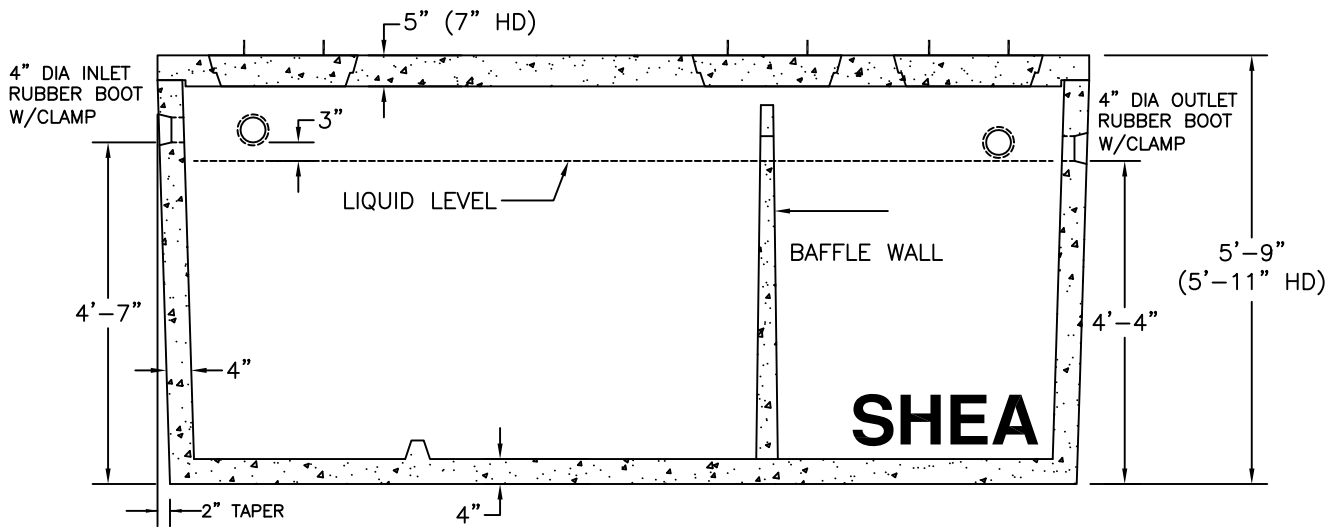


PLAN VIEW



SECTION VIEW

NOTES:

1. CONCRETE: 4,000 PSI MINIMUM AFTER 28 DAYS.
2. DESIGN CONFORMS WITH 310 CMR 15.00, DEP TITLE 5 REGS, FOR SEPTIC TANKS.
3. ALL REINFORCEMENT PER ASTM C1227.
4. TEES AND GAS BAFFLE SOLD SEPARATELY.
5. TONGUE & GROOVE JOINT SEALED WITH BUTYL RESIN.
6. ALSO AVAILABLE IN H-20 LOADING.

ITEM NO.	WEIGHT
TK M20002C	19,150#
TK M20002CH	21,150#



New England's Premier Precaster
 800-696-7432 (SHEA)
 www.sheaconcrete.com

SEPTIC TANK MONOLITHIC
 2000 GALLON – 2 COMPARTMENT

773 Salem Street–Wilmington, MA 153 Cranberry Hwy–Rochester, MA
 87 Haverhill Road–Amesbury, MA 160 Old Turnpike Rd–Nottingham, NH
 Mail to: PO Box 520–Wilmington, MA 01887

Page: B2.6

tkM2000.dwg

02/01/2013

