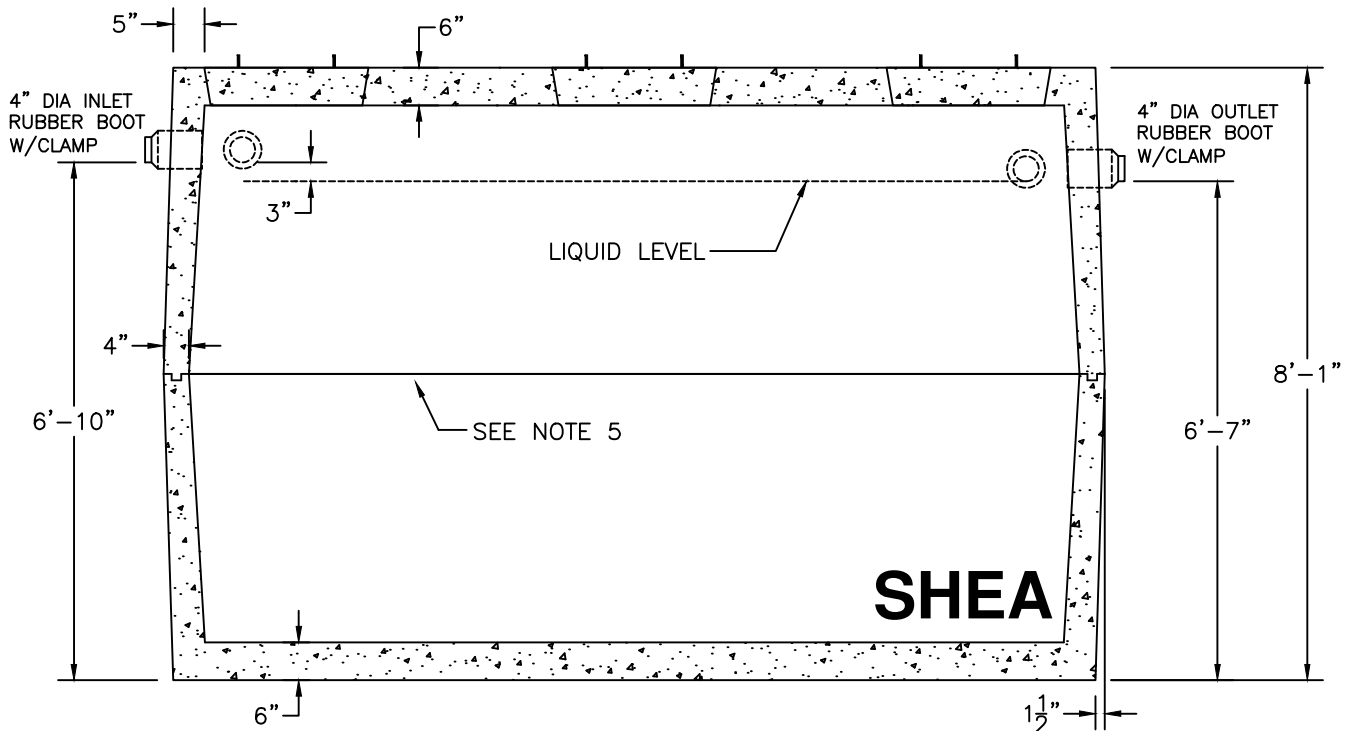



PLAN VIEW



SECTION VIEW

NOTES:

1. CONCRETE: 4,000 PSI MINIMUM AFTER 28 DAYS.
2. DESIGN CONFORMS WITH 310 CMR, SECTION 15.00 DEP TITLE 5 REGS FOR SEPTIC TANKS
4. ALL REINFORCEMENT PER ASTM C1227. TEES AND GAS Baffle SOLD SEPARATELY.
5. TONGUE & GROOVE JOINT SEALED WITH BUTYL RESIN.
6. DESIGNED FOR 1 TO 5 FEET COVER. ALSO AVAILABLE IN AASHTO HS-20 LOADING.

SHEA PRODUCT ID: 3000H	PREPARED FOR:	FILE NAME: tk3000A	
WEIGHT (LBS): 25,900#	DRAWN BY: ARO	DATE: 06/01/18	
773 Salem Street-Wilmington, MA   153 Cranberry Hwy-Rochester, MA   87 Haverhill Road-Amesbury, MA   160 Old Turnpike Rd-Nottingham, NH			