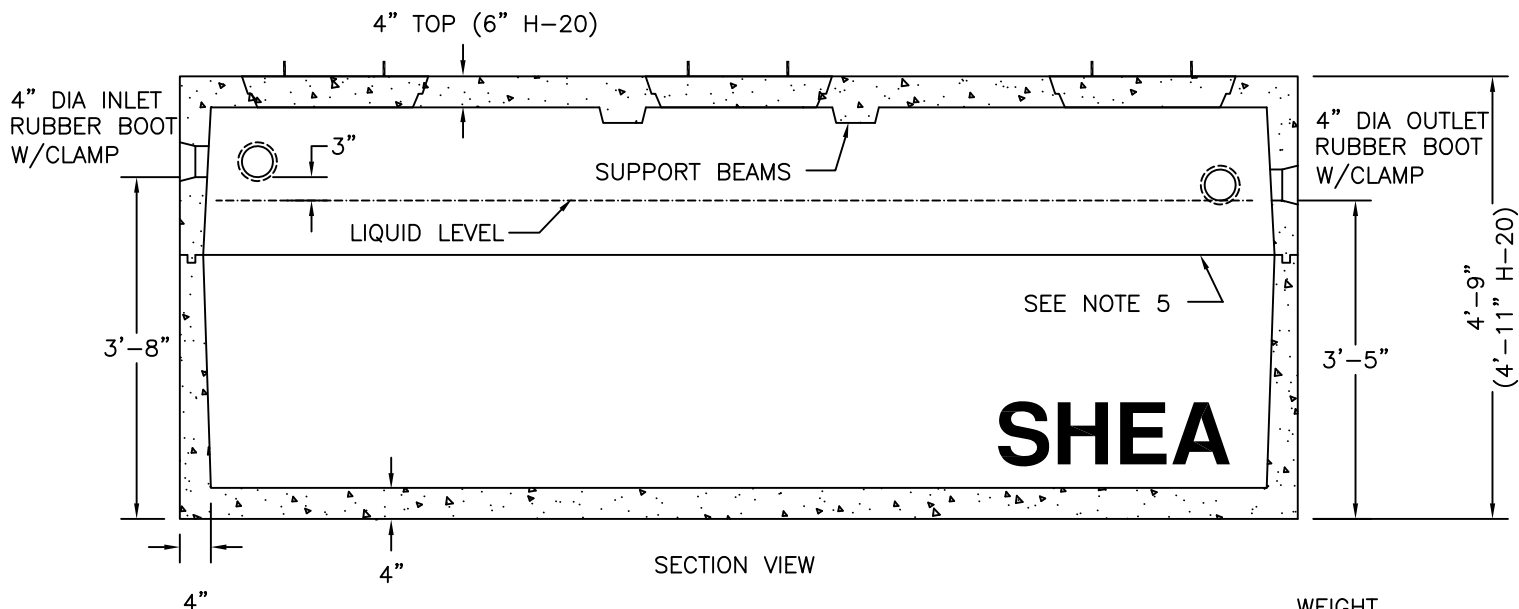


PLAN VIEW



SECTION VIEW

ITEM NO.	TK-1500LB	STANDARD	WEIGHT
	TK-1500LBH	H-20	13,025# 14,950#

NOTES:

1. CONCRETE: 4,000 PSI MINIMUM AFTER 28 DAYS.
2. DESIGN CONFORMS WITH 310 CMR 15.00, DEP TITLE 5 REGS, FOR REPLACEMENT SYSTEMS WHERE A LIQUID LEVEL OF FOUR FEET IS NOT FEASIBLE.
3. ALL REINFORCEMENT PER ASTM C1227.
4. TEES AND GAS BAFFLE SOLD SEPARATELY.
5. TONGUE & GROOVE JOINT SEALED WITH BUTYL RESIN.
6. ALSO AVAILABLE IN H-20 LOADING.



New England's Premier Precaster
800-696-7432 (SHEA)
www.sheaconcrete.com

LEDGE TANK
1500 GALLON

773 Salem Street-Wilmington, MA 153 Cranberry Hwy-Rochester, MA
87 Haverhill Road-Amesbury, MA 160 Old Turnpike Rd-Nottingham, NH
Mail to: PO Box 520-Wilmington, MA 01887

Page: B1.5

tk1500lg.dwg

02/01/2013

