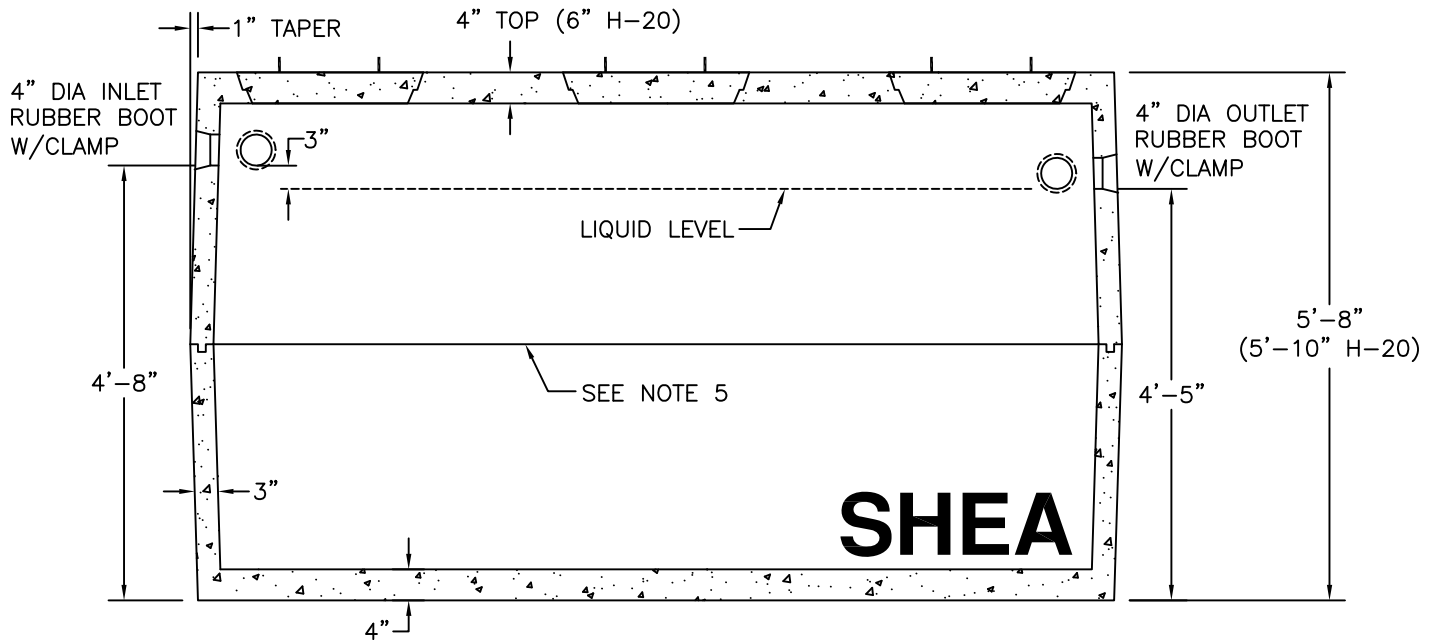


PLAN VIEW



SECTION VIEW

NOTES:

1. CONCRETE: 4,000 PSI MINIMUM AFTER 28 DAYS.
2. CONSTRUCTION OF SEPTIC TANK CONFORMS WITH DEP TITLE 5 REGS, 310 CMR, SECTION 15.226.
3. ALL REINFORCEMENT PER ASTM C1227.
4. TEES AND GAS BAFFLE SOLD SEPARATELY.
5. TONGUE & GROOVE JOINT SEALED WITH BUTYL RESIN.
6. ALSO AVAILABLE IN H-20 LOADING.

| | | WEIGHT |
|----------|----------|---------|
| ITEM NO. | TK 1250 | 10,295# |
| | TK 1250H | 11,530# |



New England's Premier Precaster
 800-696-7432 (SHEA)
 www.sheaconcrete.com

SEPTIC TANK
 1250 GALLON

773 Salem Street—Wilmington, MA 153 Cranberry Hwy—Rochester, MA
 87 Haverhill Road—Amesbury, MA 160 Old Turnpike Rd—Nottingham, NH
 Mail to: PO Box 520—Wilmington, MA 01887

Page: B1.3

tk1250.dwg

02/01/2013

