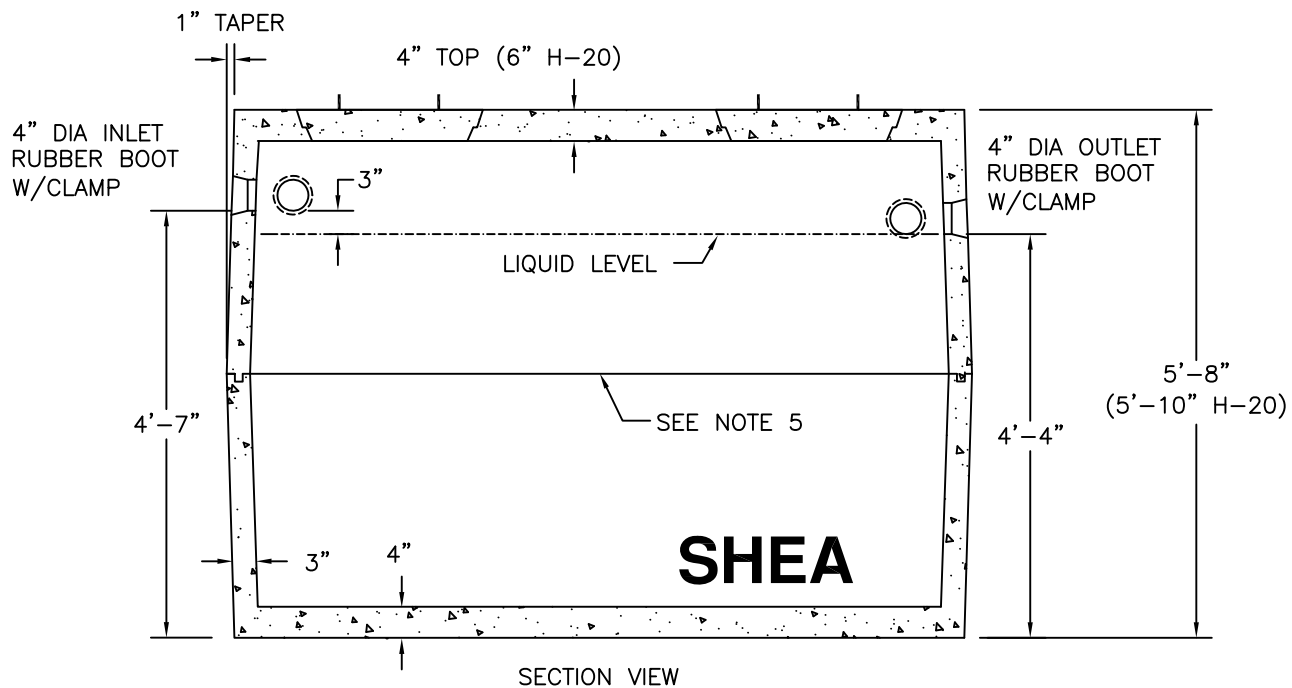


PLAN VIEW



SECTION VIEW

NOTES:

1. CONCRETE: 4,000 PSI MINIMUM AFTER 28 DAYS.
2. CONSTRUCTION OF SEPTIC TANK CONFORMS WITH DEP TITLE 5 REGS, 310 CMR, SECTION 15.226.
3. ALL REINFORCEMENT PER ASTM C1227.
4. TEES AND GAS BAFFLE SOLD SEPARATELY.
5. TONGUE & GROOVE JOINT SEALED WITH BUTYL RESIN.
6. ALSO AVAILABLE IN H-20 LOADING.

			WEIGHT
ITEM NO.	TK-1000	STANDARD	8,765#
	TK-1000H	H-20	9,785#



*New England's Premier Precaster*  
 800-696-7432 (SHEA)  
 www.sheaconcrete.com

SEPTIC TANK  
 1000 GALLON

773 Salem Street-Wilmington, MA 153 Cranberry Hwy-Rochester, MA  
 87 Haverhill Road-Amesbury, MA 160 Old Turnpike Rd-Nottingham, NH  
 Mail to: PO Box 520-Wilmington, MA 01887

Page: B1.1

tk1000.dwg

02/01/2013

