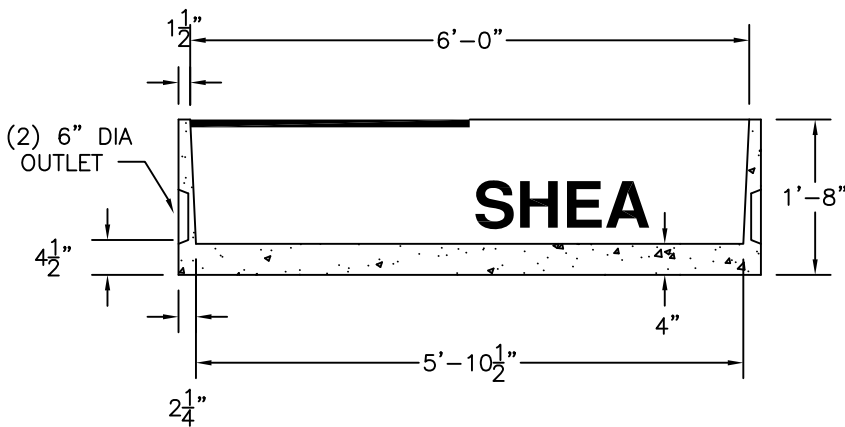
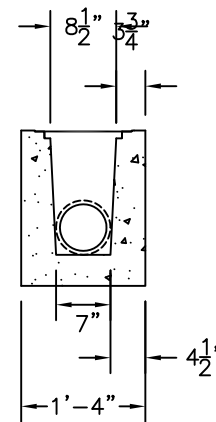


PLAN VIEW



SIDE SECTION VIEW

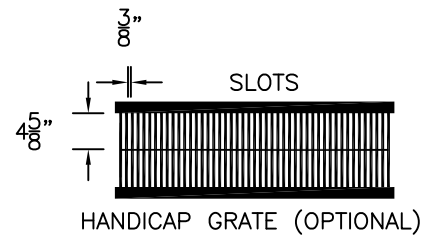


END SECTION VIEW

			WEIGHT
ITEM NO.	M-TD6	6' SECTION	1,315#
	M-TD3	3' SECTION	711#

NOTES:

1. CONCRETE: 4,000 PSI MINIMUM AFTER 28 DAYS.
2. AVAILABLE IN 3' AND 6' SECTIONS.
3. AVAILABLE IN END OR MIDDLE SECTIONS.
4. CONFORMS TO H-20 LOADING.



HANDICAP GRATE (OPTIONAL)



New England's Premier Precaster
 800-696-7432 (SHEA)
 www.sheaconcrete.com

TRENCH DRAIN

773 Salem Street
 P.O. Box 520
 Wilmington, MA 01887

87 Haverhill Road
 P.O. Box 807
 Amesbury, MA 01913

160 Old Turnpike Road
 Nottingham, NH 03290

Page: H6

tchdrain.dwg

11/23/2009

