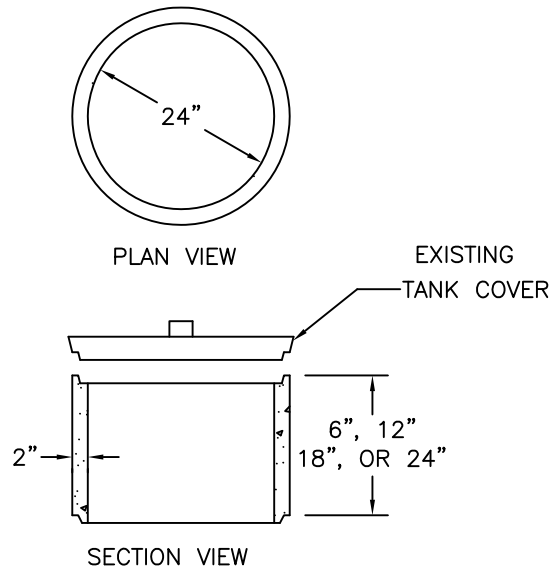


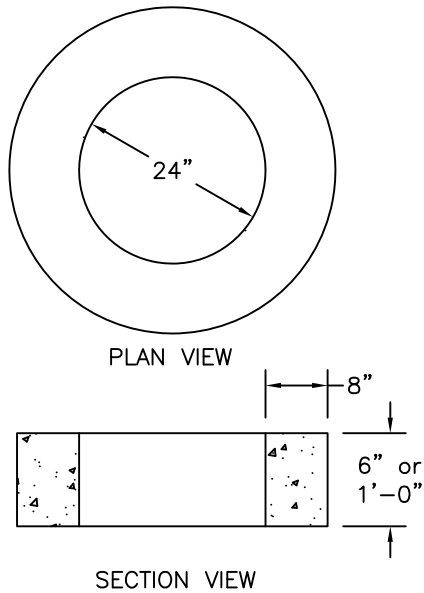
20" ID REGULAR DUTY
WEIGHT

ITEM NO.	B-TE6X21R	6" HIGH	75#
	B-TE12X21R	12" HIGH	150#
	B-TE18X21R	18" HIGH	225#
	B-TE24X21R	24" HIGH	300#



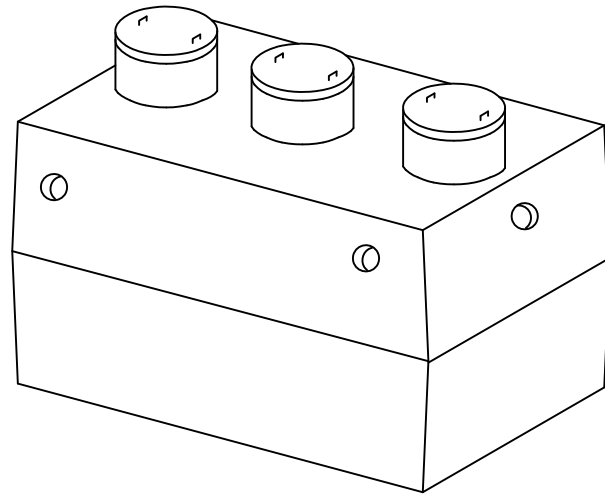
24" ID REGULAR DUTY
WEIGHT

ITEM NO.	TE6X24R	85#
	TE12X24R	170#
	TE18X24R	255#
	TE24X24R	340#



TANK RISER H-20

ITEM NO.	WEIGHT
40X6-24	414#
40X12-24	828#



NOTES:

1. CONCRETE: 4,000 PSI MINIMUM AFTER 28 DAYS.
2. OPTIONAL CONCRETE OR CAST IRON COVER AVAILABLE.



New England's Premier Precaster
800-696-7432 (SHEA)
www.sheaconcrete.com

TANK
EXTENSIONS

773 Salem Street
P.O. Box 520
Wilmington, MA 01887

87 Haverhill Road
P.O. Box 807
Amesbury, MA 01913

160 Old Turnpike Road
Nottingham, NH 03290

Page: M3
tankexts.dwg

11/25/2009

