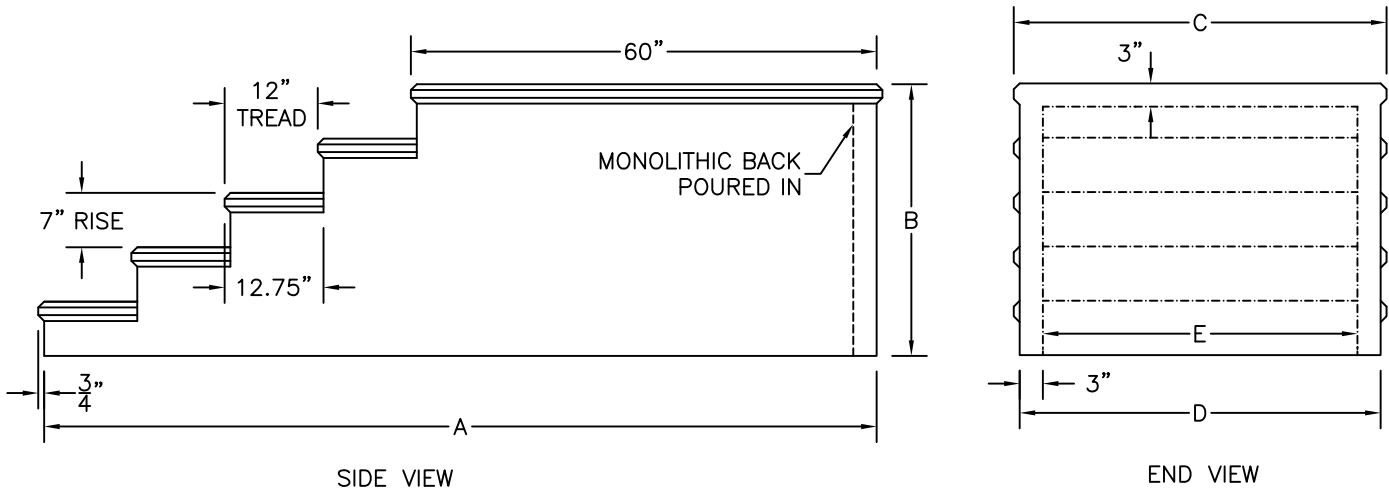


WEIGHT	RISERS						
	1	2	3	4	5	6	7
4'	995#	1,550#	2,145	2,785#	3,465#	4,190#	
5'	1,215#	1,835#	2,500#	3,205#	3,955#	4,750#	5,585#



SIDE VIEW

END VIEW

RISER	A LENGTH	B HEIGHT	C WIDTH	D	E
1	60"	7"	48"	47"	42"
2	72"	14"	60"	59"	54"
3	84"	21"			
4	96"	28"			
5	108"	35"			
6	120"	42"			
7	132"	49"			

SEE NOTE 4 →

NOTES:

- 1) CONCRETE: 4,000 PSI MINIMUM AFTER 28 DAYS.
- 2) WROUGHT IRON RAILS OPTIONAL.
- 3) TREADS AND PLATFORM BROOM FINISHED.
- 4) 7 RISER SIDE ENTRY AVAILABLE IN 5' WIDE ONLY.
- 5) CONCRETE SLAB RECOMMENDED.



New England's Premier Precaster
 800-696-7432 (SHEA)
 www.sheaconcrete.com

STEPS SIDE ENTRANCE
 7" RISE - 60" PLATFORM

773 Salem Street-Wilmington, MA 153 Cranberry Hwy-Rochester, MA
 87 Haverhill Road-Amesbury, MA 160 Old Turnpike Rd-Nottingham, NH
 Mail to: PO Box 520-Wilmington, MA 01887

Page: A1.3

stepsSideEntry.dwg 07/18/2011

