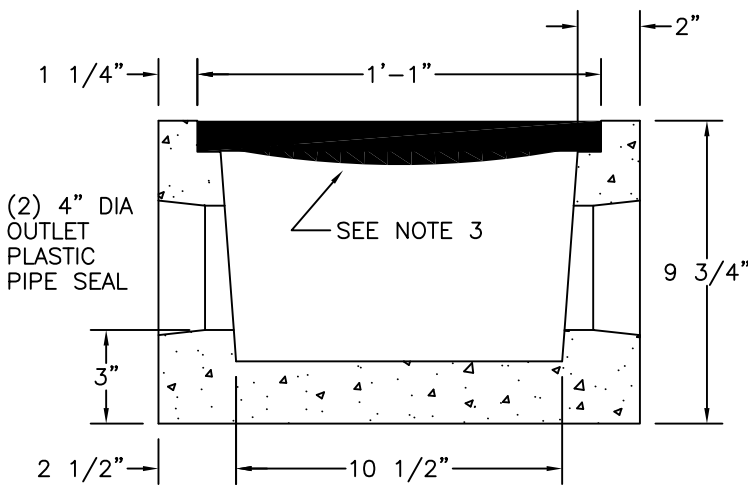
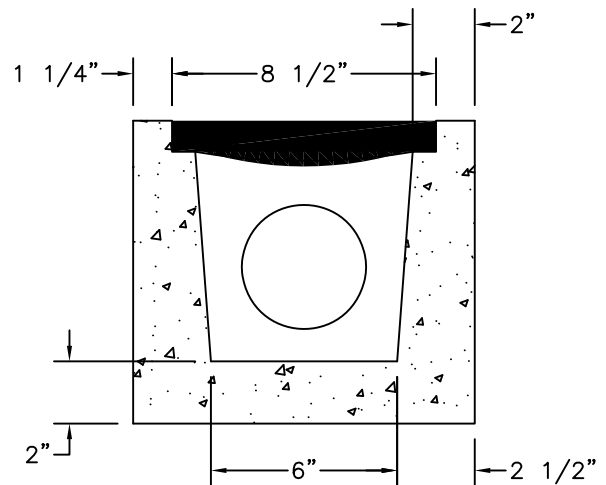


PLAN VIEW



SIDE SECTION VIEW



END SECTION VIEW

WEIGHT	
ITEM NO. B-RD	91#

NOTES:

1. CONCRETE: 4,000 PSI MINIMUM AFTER 28 DAYS.
2. ACCEPTS ALL 3" AND 4" PIPE WITHOUT GROUTING.
3. COVER GRATE CONSTRUCTED OF CO-POLYMER POLYPROPYLENE.



New England's Premier Precaster
 800-696-7432 (SHEA)
 www.sheaconcrete.com

RAIN DRAIN

773 Salem Street
 P.O. Box 520
 Wilmington, MA 01887

87 Haverhill Road
 P.O. Box 807
 Amesbury, MA 01913

160 Old Turnpike Road
 Nottingham, NH 03290

Page: H7

raindrn.dwg

1/12/00

